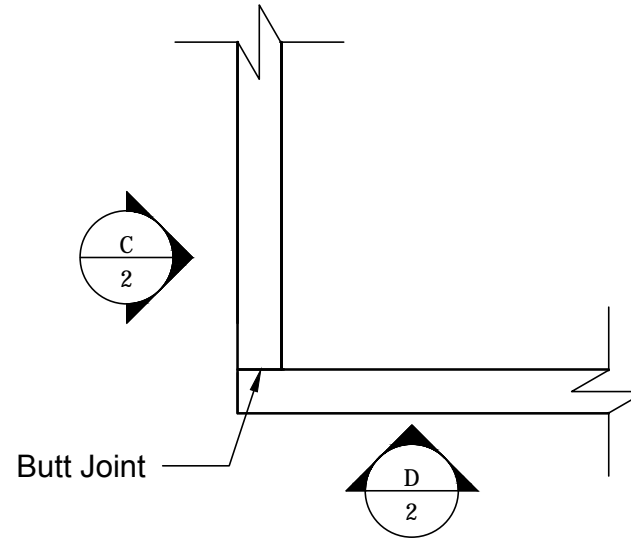


Butt Joint Isometric

A



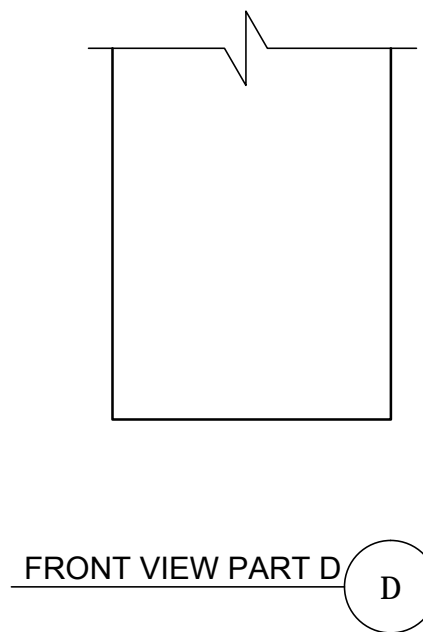
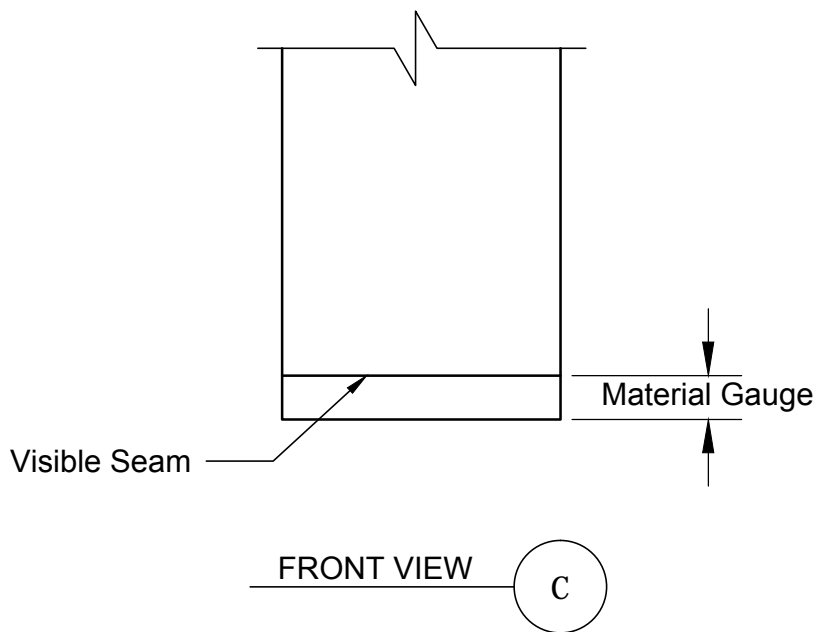
Butt Joint Front View

B

THESE DRAWINGS HAVE NOT BEEN REVIEWED AND APPROVED BY THE ARCHITECT AND CANNOT EVER BE USED FOR CONSTRUCTION PURPOSES. THESE DRAWINGS ARE FOR THE EXCLUSIVE USE OF LUMICOR. ANY USE OF THESE DRAWINGS BY OTHERS WILL BE AT THEIR OWN RISK AND LUMICOR WILL NOT BE RESPONSIBLE FOR ISSUES THAT MAY ARISE FROM THEIR USE.

LUMICOR JOINT AND SEAMING PROFILES  
 PROFILE TYPE: BUTT JOINT  
 DATE MODIFIED: 10/01/2015  
 PROFILE 1 OF 6  
 PAGE 1 OF 2

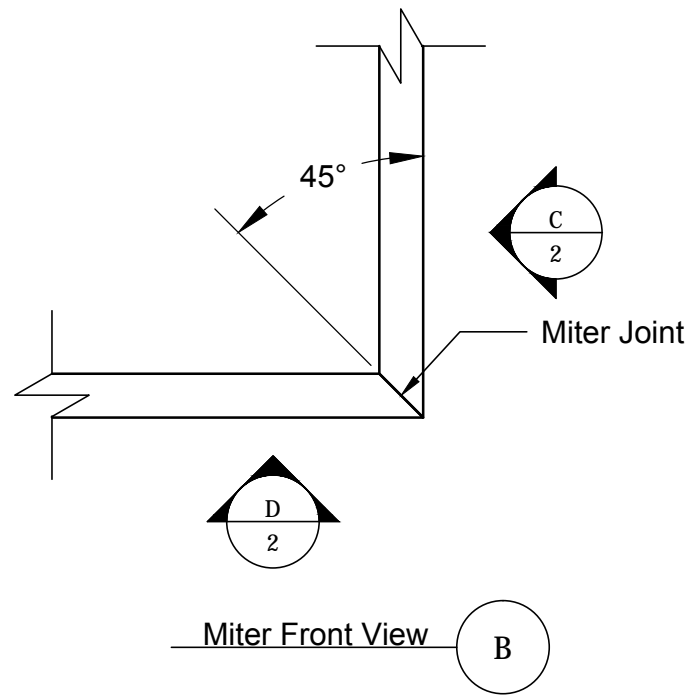
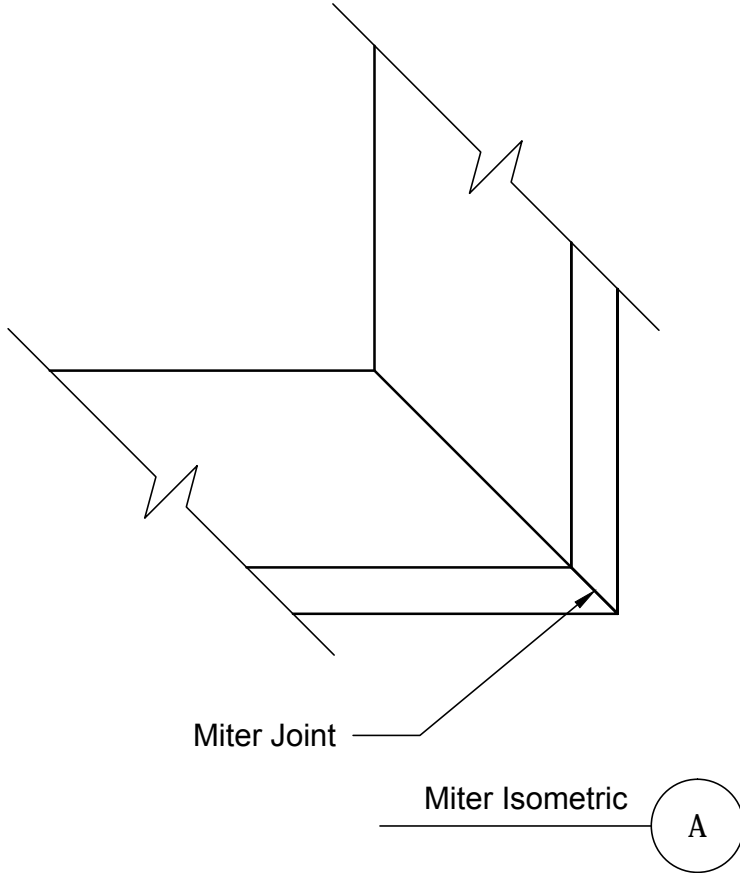
**Lumicor**  
 T 1.888.LUMICOR (586.4267)  
 OPTION 3  
 F 425.277.1872  
 sales@lumicor.com



THESE DRAWINGS HAVE NOT BEEN REVIEWED AND APPROVED BY THE ARCHITECT AND CANNOT EVER BE USED FOR CONSTRUCTION PURPOSES. THESE DRAWINGS ARE FOR THE EXCLUSIVE USE OF LUMICOR. ANY USE OF THESE DRAWINGS BY OTHERS WILL BE AT THEIR OWN RISK AND LUMICOR WILL NOT BE RESPONSIBLE FOR ISSUES THAT MAY ARISE FROM THEIR USE.

LUMICOR JOINT AND SEAMING PROFILES  
 PROFILE TYPE: BUTT JOINT  
 DATE MODIFIED: 10/01/2015  
 PROFILE 1 OF 6  
 PAGE 2 OF 2

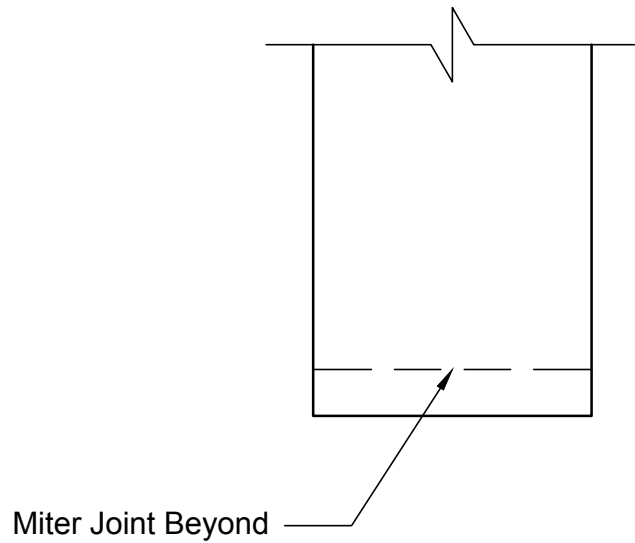
**Lumicor**  
 T 1.888.LUMICOR (586.4267)  
 OPTION 3  
 F 425.277.1872  
 sales@lumicor.com



THESE DRAWINGS HAVE NOT BEEN REVIEWED AND APPROVED BY THE ARCHITECT AND CANNOT EVER BE USED FOR CONSTRUCTION PURPOSES. THESE DRAWINGS ARE FOR THE EXCLUSIVE USE OF LUMICOR. ANY USE OF THESE DRAWINGS BY OTHERS WILL BE AT THEIR OWN RISK AND LUMICOR WILL NOT BE RESPONSIBLE FOR ISSUES THAT MAY ARISE FROM THEIR USE.

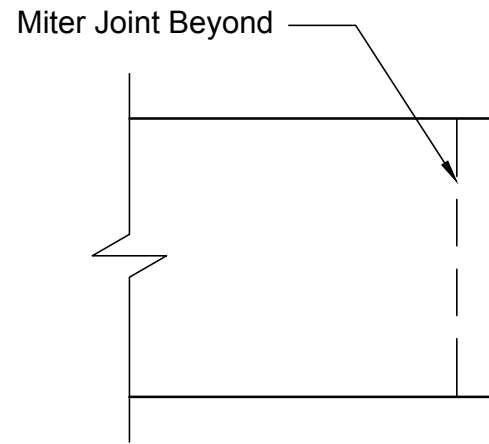
LUMICOR JOINT AND SEAMING PROFILES  
 PROFILE TYPE: MITER JOINT  
 DATE MODIFIED: 10/01/2015  
 PROFILE 2 OF 6  
 PAGE 1 OF 2

**Lumicor**  
 T 1.888.LUMICOR (586.4267)  
 OPTION 3  
 F 425.277.1872  
 sales@lumicor.com



Side View

C



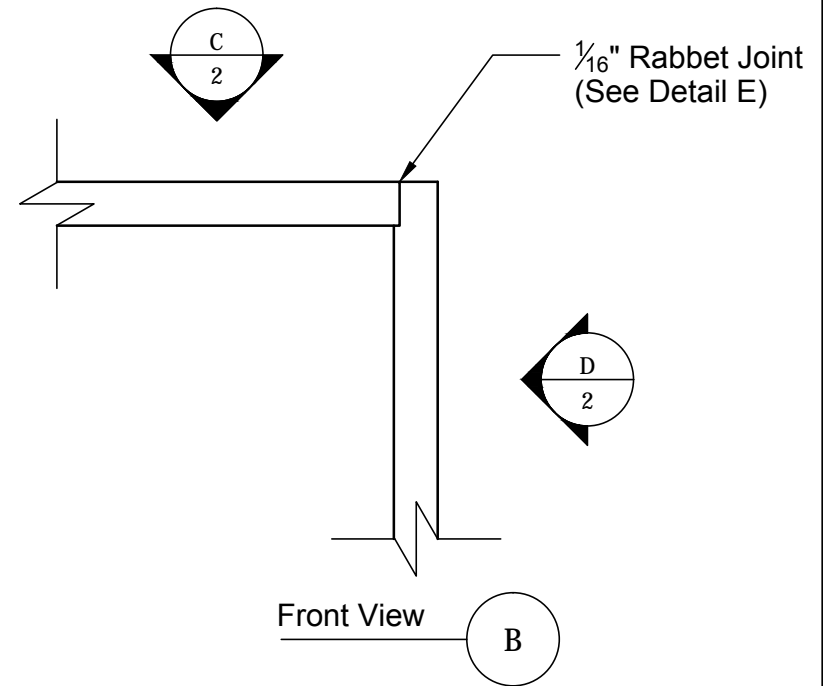
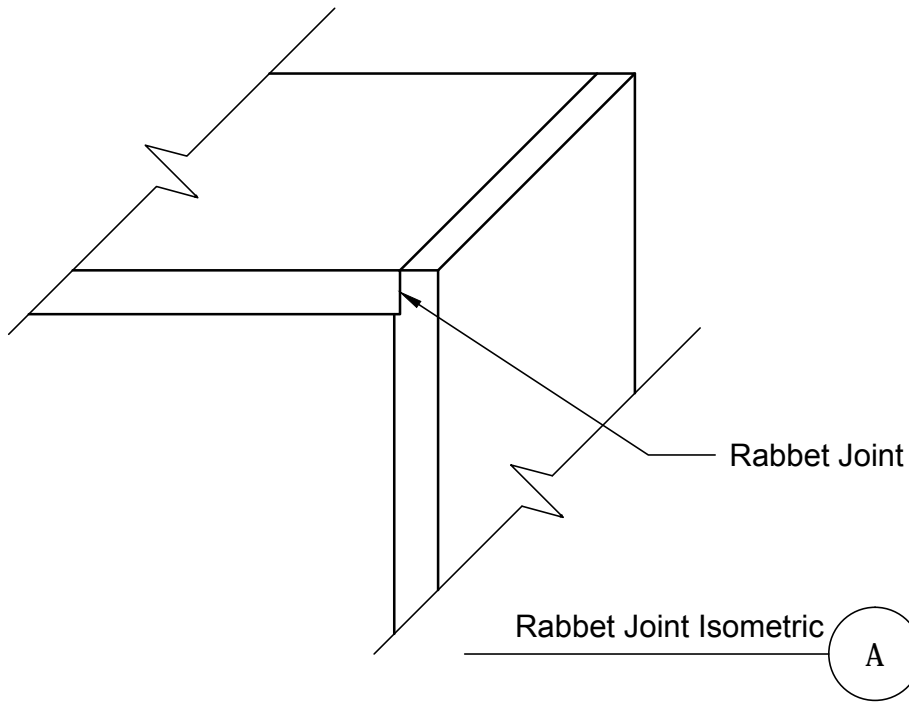
Bottom View

D

THESE DRAWINGS HAVE NOT BEEN REVIEWED AND APPROVED BY THE ARCHITECT AND CANNOT EVER BE USED FOR CONSTRUCTION PURPOSES. THESE DRAWINGS ARE FOR THE EXCLUSIVE USE OF LUMICOR. ANY USE OF THESE DRAWINGS BY OTHERS WILL BE AT THEIR OWN RISK AND LUMICOR WILL NOT BE RESPONSIBLE FOR ISSUES THAT MAY ARISE FROM THEIR USE.

LUMICOR JOINT AND SEAMING PROFILES  
 PROFILE TYPE: MITER JOINT  
 DATE MODIFIED: 10/01/2015  
 PROFILE 2 OF 6  
 PAGE 2 OF 2

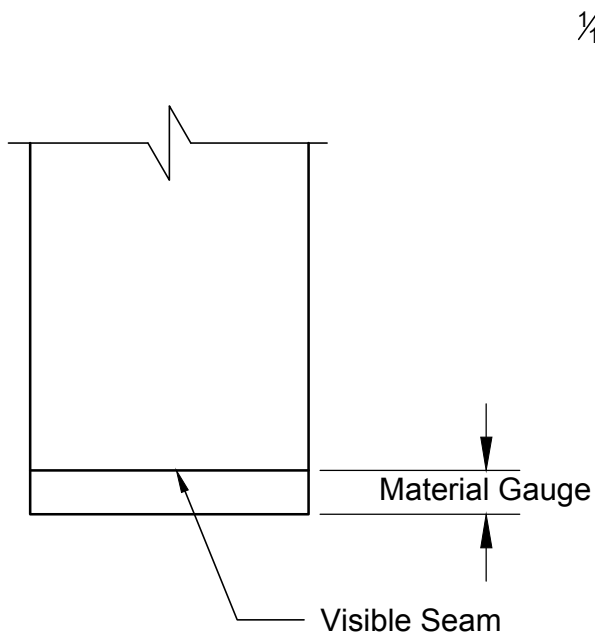
**Lumicor**  
 T 1.888.LUMICOR (586.4267)  
 OPTION 3  
 F 425.277.1872  
 sales@lumicor.com



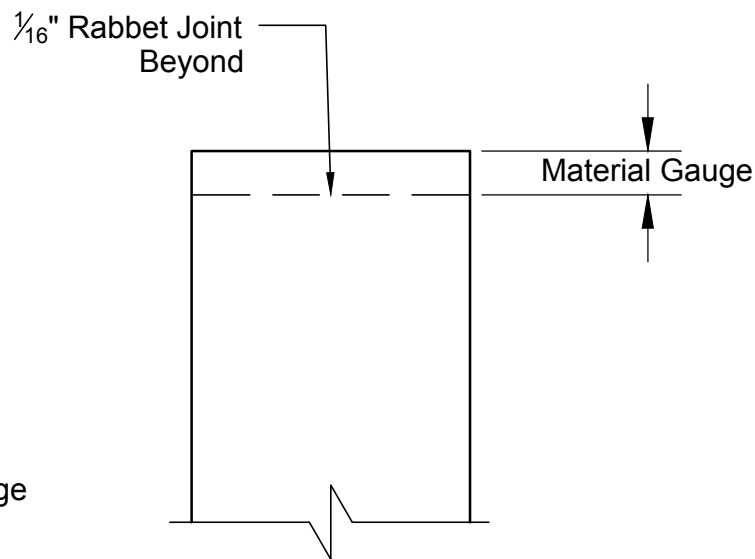
THESE DRAWINGS HAVE NOT BEEN REVIEWED AND APPROVED BY THE ARCHITECT AND CANNOT EVER BE USED FOR CONSTRUCTION PURPOSES. THESE DRAWINGS ARE FOR THE EXCLUSIVE USE OF LUMICOR. ANY USE OF THESE DRAWINGS BY OTHERS WILL BE AT THEIR OWN RISK AND LUMICOR WILL NOT BE RESPONSIBLE FOR ISSUES THAT MAY ARISE FROM THEIR USE.

LUMICOR JOINT AND SEAMING PROFILES  
 PROFILE TYPE: RABBET JOINT  
 DATE MODIFIED: 10/01/2015  
 PROFILE 3 OF 6  
 PAGE 1 OF 2

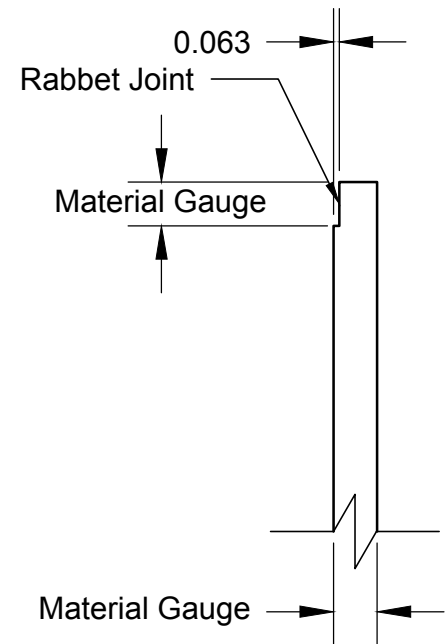
**Lumicor**  
 T 1.888.LUMICOR (586.4267)  
 OPTION 3  
 F 425.277.1872  
 sales@lumicor.com



Top View (C)



Front View (D)

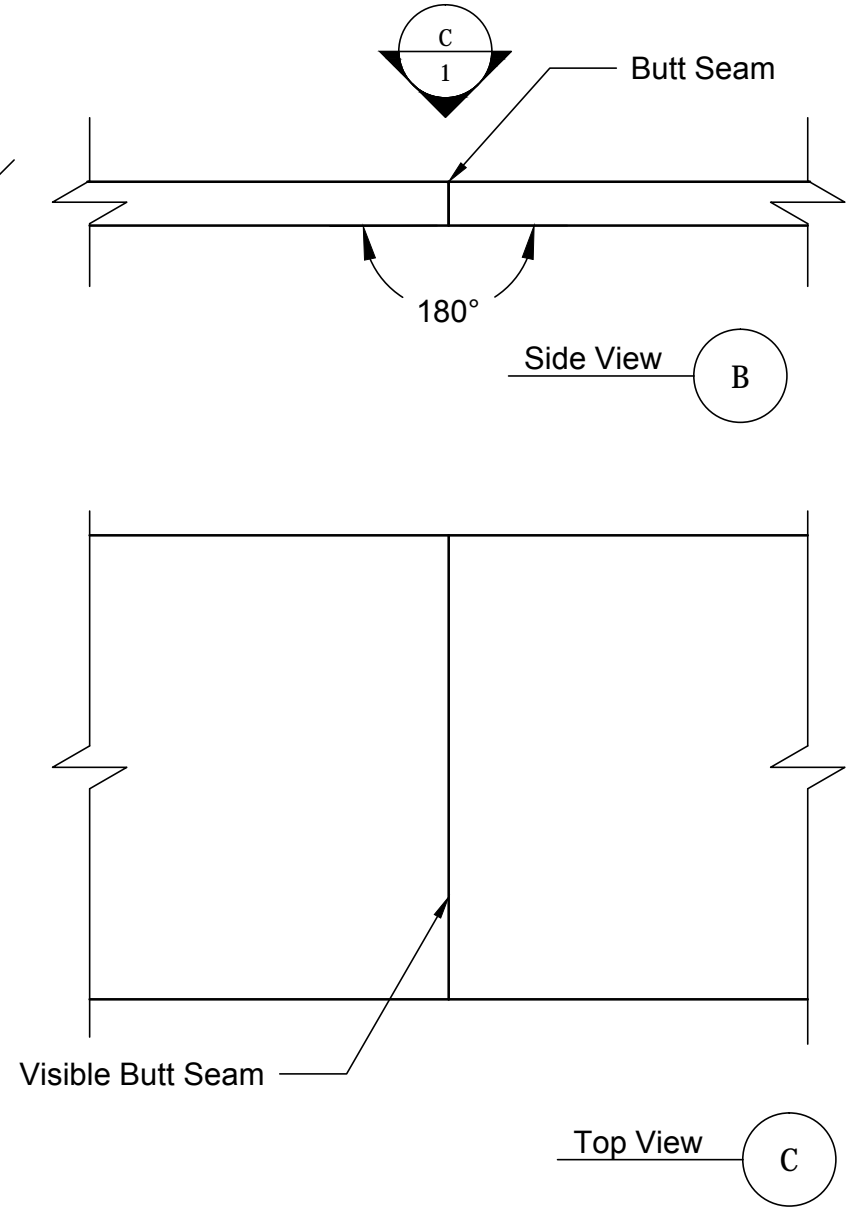
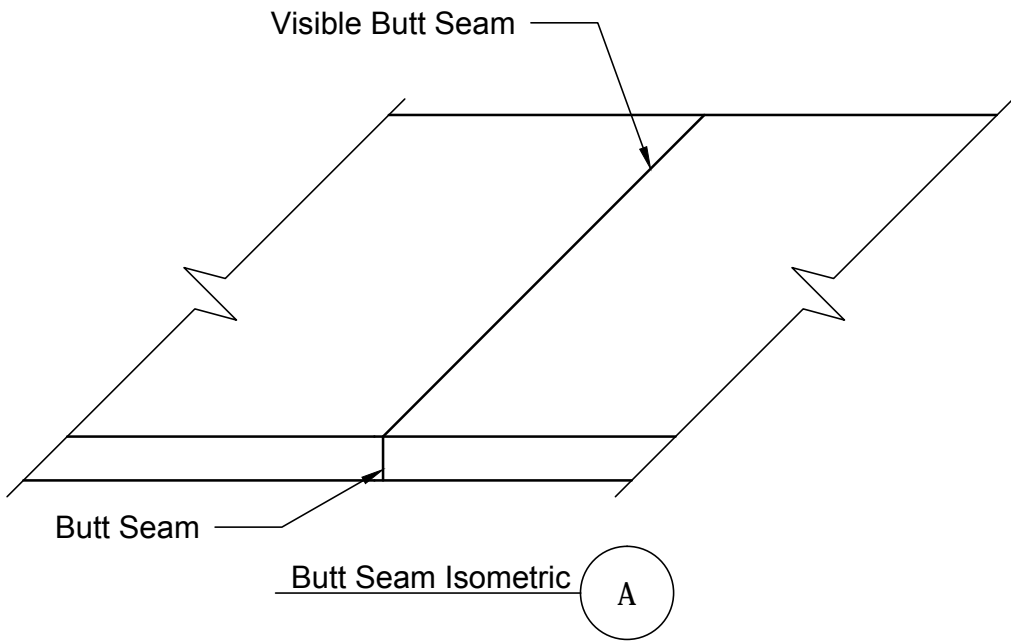


Side View (E)

THESE DRAWINGS HAVE NOT BEEN REVIEWED AND APPROVED BY THE ARCHITECT AND CANNOT EVER BE USED FOR CONSTRUCTION PURPOSES. THESE DRAWINGS ARE FOR THE EXCLUSIVE USE OF LUMICOR. ANY USE OF THESE DRAWINGS BY OTHERS WILL BE AT THEIR OWN RISK AND LUMICOR WILL NOT BE RESPONSIBLE FOR ISSUES THAT MAY ARISE FROM THEIR USE.

LUMICOR JOINT AND SEAMING PROFILES  
 PROFILE TYPE: RABBET JOINT  
 DATE MODIFIED: 10/01/2015  
 PROFILE 3 OF 6  
 PAGE 2 OF 2

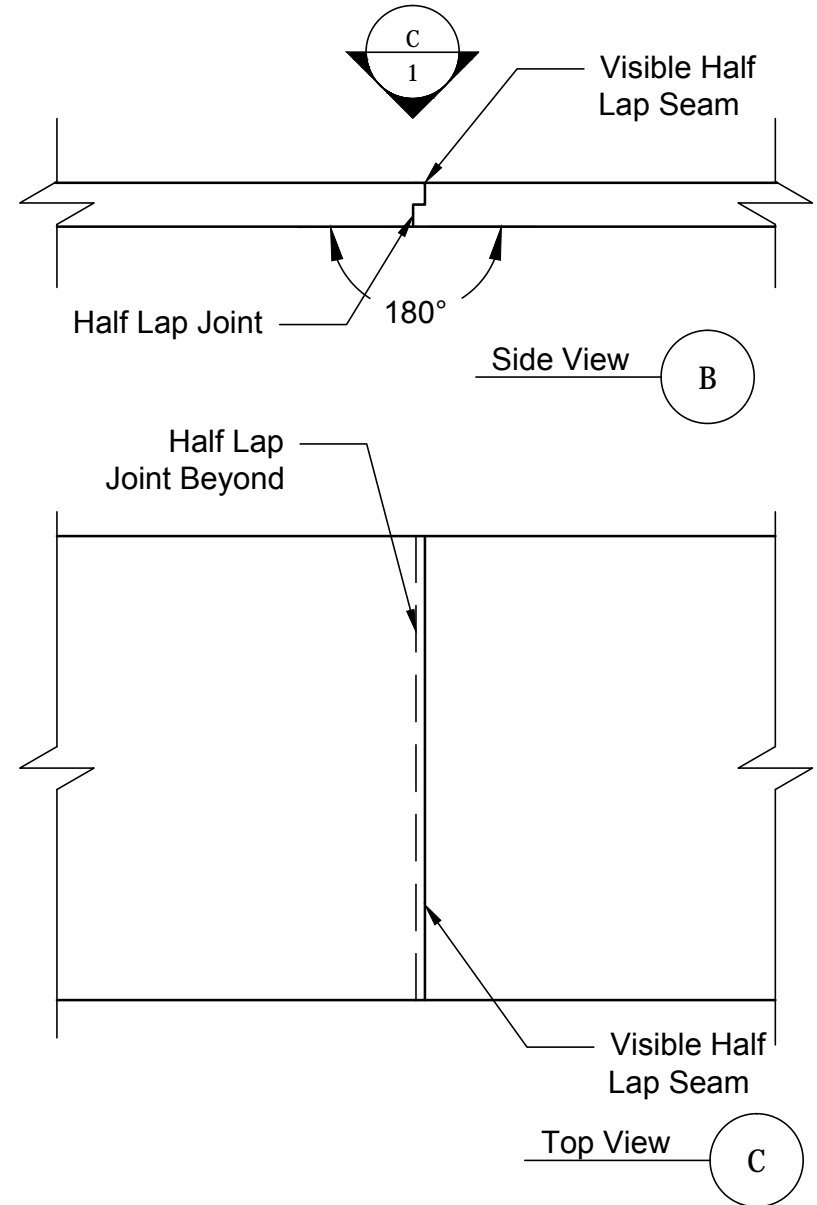
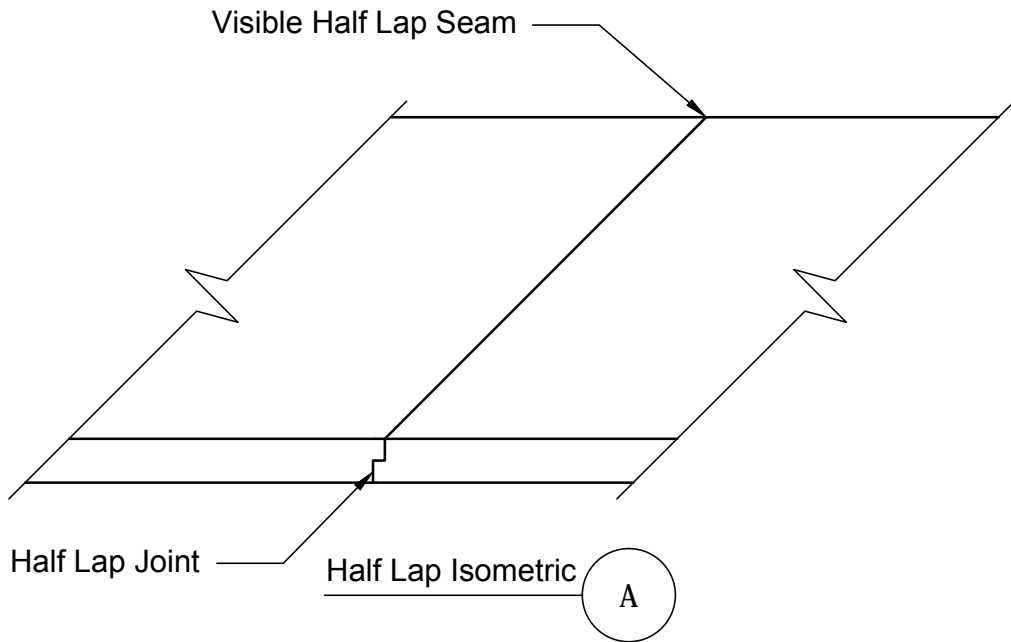
**Lumicor**  
 T 1.888.LUMICOR (586.4267)  
 OPTION 3  
 F 425.277.1872  
 sales@lumicor.com



THESE DRAWINGS HAVE NOT BEEN REVIEWED AND APPROVED BY THE ARCHITECT AND CANNOT EVER BE USED FOR CONSTRUCTION PURPOSES. THESE DRAWINGS ARE FOR THE EXCLUSIVE USE OF LUMICOR. ANY USE OF THESE DRAWINGS BY OTHERS WILL BE AT THEIR OWN RISK AND LUMICOR WILL NOT BE RESPONSIBLE FOR ISSUES THAT MAY ARISE FROM THEIR USE.

LUMICOR JOINT AND SEAMING PROFILES  
 PROFILE TYPE: BUTT SEAM  
 DATE MODIFIED: 10/01/2015  
 PROFILE 4 OF 6  
 PAGE 1 OF 1

**Lumicor**  
 T 1.888.LUMICOR (586.4267)  
 OPTION 3  
 F 425.277.1872  
 sales@lumicor.com

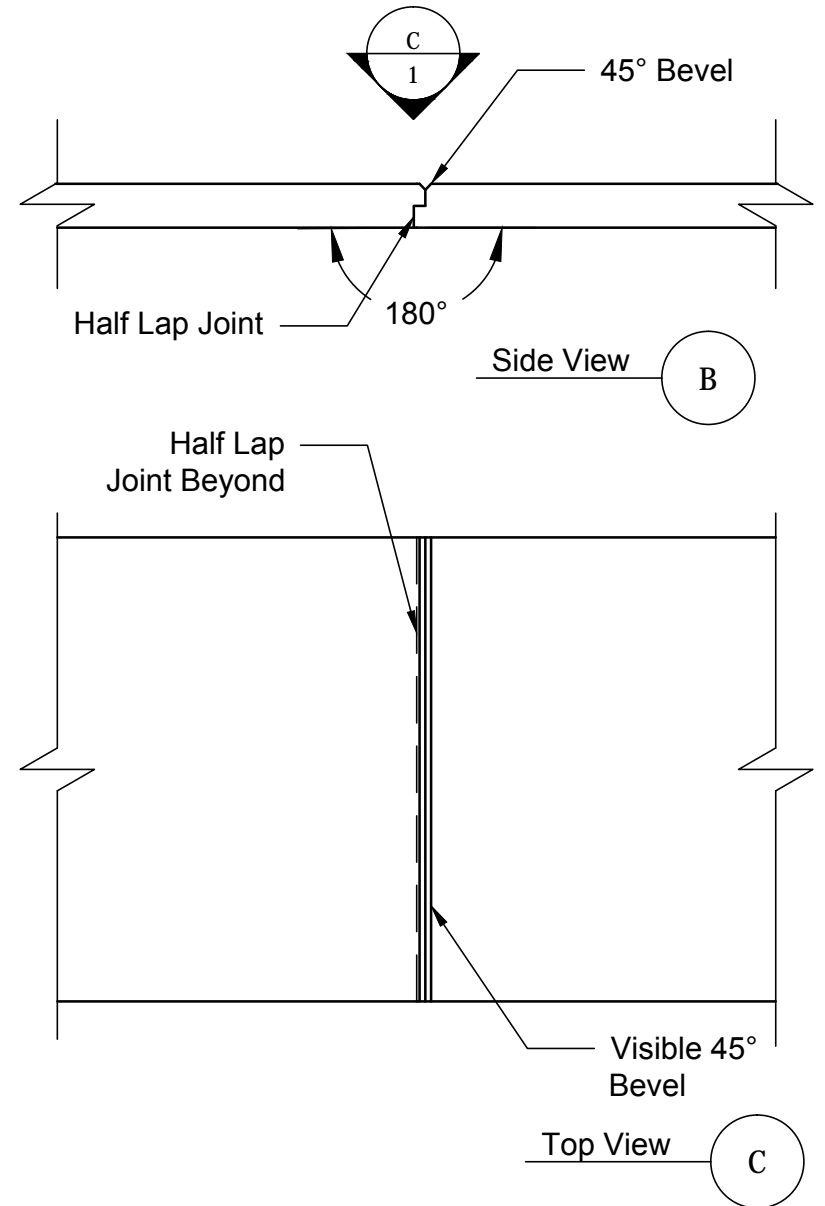
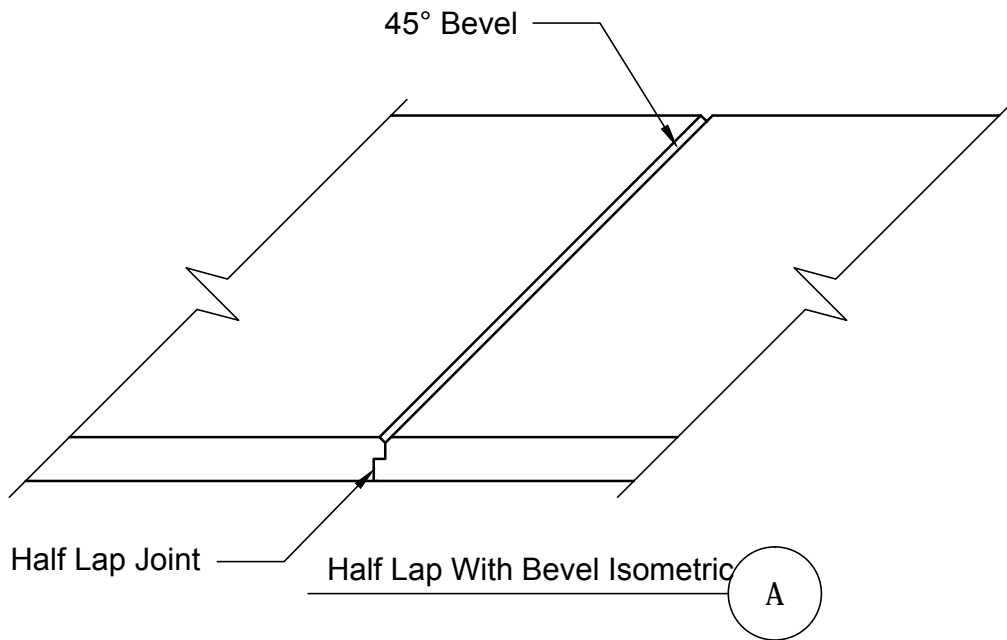


THESE DRAWINGS HAVE NOT BEEN REVIEWED AND APPROVED BY THE ARCHITECT AND CANNOT EVER BE USED FOR CONSTRUCTION PURPOSES. THESE DRAWINGS ARE FOR THE EXCLUSIVE USE OF LUMICOR. ANY USE OF THESE DRAWINGS BY OTHERS WILL BE AT THEIR OWN RISK AND LUMICOR WILL NOT BE RESPONSIBLE FOR ISSUES THAT MAY ARISE FROM THEIR USE.

LUMICOR JOINT AND SEAMING PROFILES  
 PROFILE TYPE: HALF LAP SEAM  
 DATE MODIFIED: 10/01/2015  
 PROFILE 5 OF 6  
 PAGE 1 OF 1

**Lumicor**  
 T 1.888.LUMICOR (586.4267)  
 OPTION 3  
 F 425.277.1872  
 sales@lumicor.com





THESE DRAWINGS HAVE NOT BEEN REVIEWED AND APPROVED BY THE ARCHITECT AND CANNOT EVER BE USED FOR CONSTRUCTION PURPOSES. THESE DRAWINGS ARE FOR THE EXCLUSIVE USE OF LUMICOR. ANY USE OF THESE DRAWINGS BY OTHERS WILL BE AT THEIR OWN RISK AND LUMICOR WILL NOT BE RESPONSIBLE FOR ISSUES THAT MAY ARISE FROM THEIR USE.

LUMICOR JOINT AND SEAMING PROFILES  
 PROFILE TYPE: HALF LAP WITH BEVEL SEAM  
 DATE MODIFIED: 10/01/2015  
 PROFILE 6 OF 6  
 PAGE 1 OF 1

**Lumicor**  
 T 1.888.LUMICOR (586.4267)  
 OPTION 3  
 F 425.277.1872  
 sales@lumicor.com