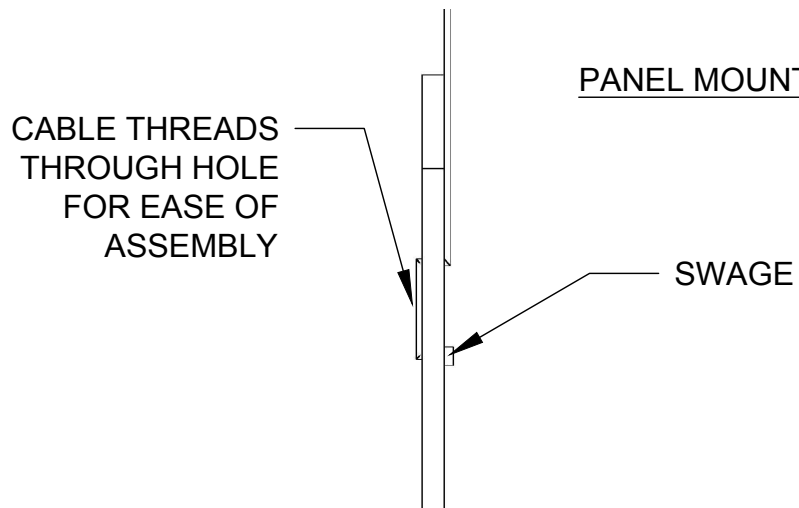


PANEL MOUNTING VIEW



**CEILING MOUNTED SHIELD**  
410.07-09 | Protective Acrylic Shield - 1/4" Gauge

These drawings have not been reviewed and approved by the architect and cannot ever be used for construction purposes. These drawings are for the exclusive use of Lumicor. Any use of these drawings by others will be at their own risk and lumicor will not be responsible for issues that may arise from their use.

© Lumicor 2020 — All Rights Reserved. For more information, visit [www.lumicor.com](http://www.lumicor.com) or call 1.888.LUMICOR (888.586.4267)

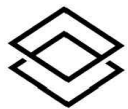
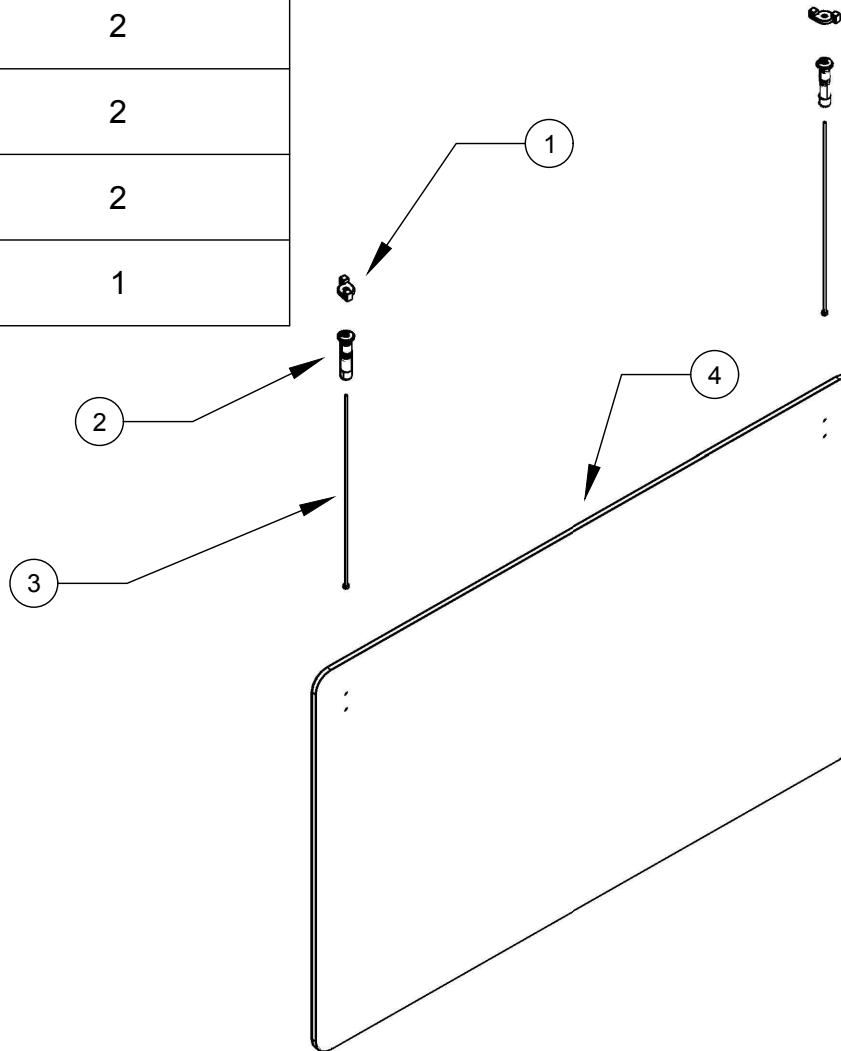
Solution  
410.07-09

1/6/21

Page 1 of 2

# PARTS LIST

ITEM NUMBER	PART DESCRIPTION	QTY PER FEATURE
1	LIGHTWEIGHT T-GRIP MOUNT	2
2	ADJUSTABLE CABLE GRIPPER	2
3	10' CABLE WITH SWAGE	2
4	PROTECTIVE ACRYLIC SHIELD	1



Lumicor.

## CEILING MOUNTED SHIELD 410.07-09 | Protective Acrylic Shield - 1/4" Gauge

These drawings have not been reviewed and approved by the architect and cannot ever be used for construction purposes. These drawings are for the exclusive use of Lumicor. Any use of these drawings by others will be at their own risk and lumicor will not be responsible for issues that may arise from their use.

© Lumicor 2020 — All Rights Reserved. For more information, visit [www.lumicor.com](http://www.lumicor.com) or call 1.888.LUMICOR (888.586.4267)

Solution  
410.07-09

1/6/21

Page 2 of 2