

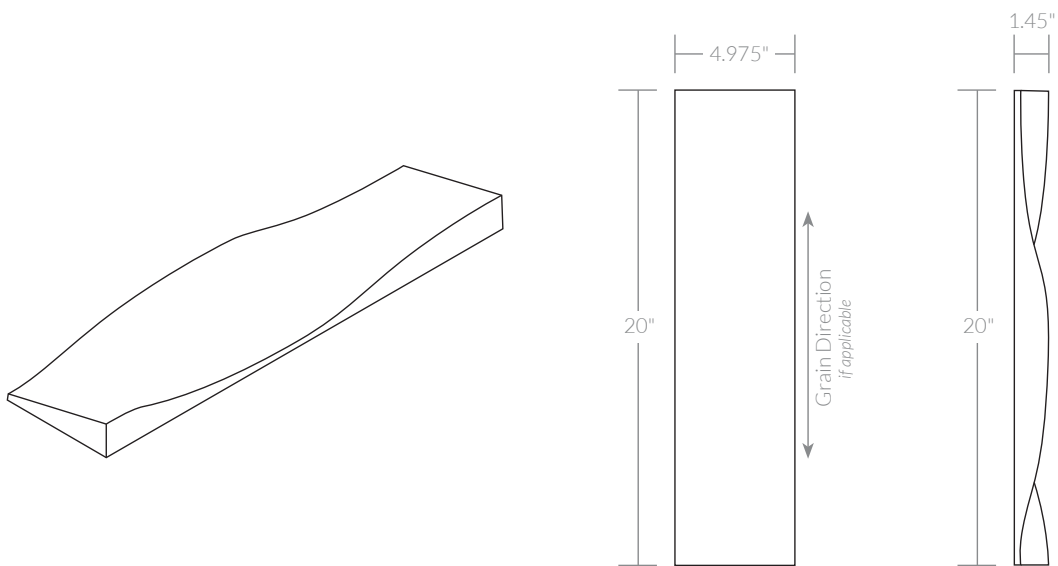
TWIST™



Finish: Rustic Elm | Pattern: Herringbone

PRODUCT SPECIFICATIONS

Tiles are cast from Class A polyurethane foam, sanded by hand, and applied with a designer finish. Due to the artisanal nature each Kuvio tile is unique and imperfections are inherent in the design.



Coverage / Tile	0.7 sf.	Approx. Weight / Case	26 lbs.
Coverage / Case	16.8 sf.	Case Size	21.5" x 13" x 13"
Tile Base Size	20" x 4.975"	Approx. Weight / Tile	1 lb.
Thickness	1.45"	Tiles / Case	24

AVAILABLE FINISHES



Grigio Marble



Bianco Marble



Cotton



Concrete



Carbon Cedar



Walnut



Rustic Elm



Nantucket



Maple



Shadow



Shimmer Ash



Zinc



Oxide



Titanium



Copper

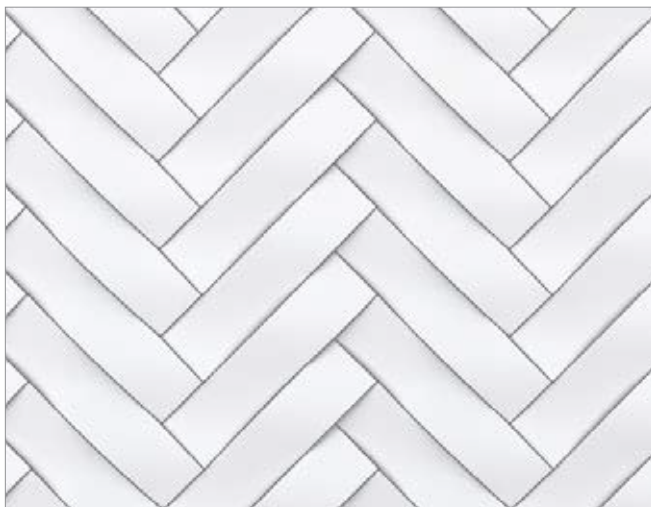
TWIST SAMPLE PATTERNS



Subway



Basketweave



Herringbone