

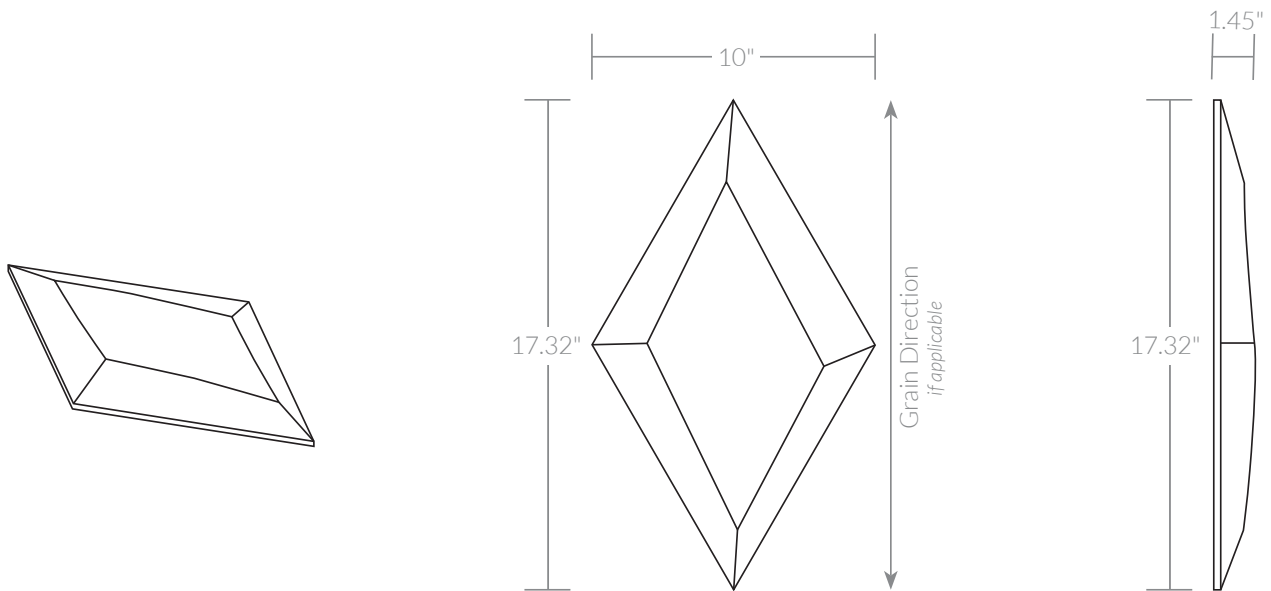
POINT™



Finish: Concrete | Pattern: Stack

PRODUCT SPECIFICATIONS

Tiles are cast from Class A polyurethane foam, sanded by hand, and applied with a designer finish. Due to the artisanal nature each Kuvio tile is unique and imperfections are inherent in the design.



Coverage / Tile	0.6 sf.	Approx. Weight / Case	20 lbs.
Coverage / Case	14.4 sf.	Case Size	28.5" x 20.5" x 10.5"
Tile Base Size	17.32" x 10"	Approx. Weight / Tile	1 lb.
Thickness	1.45"	Tiles / Case	24

AVAILABLE FINISHES



Grigio Marble



Bianco Marble



Cotton



Concrete



Carbon Cedar



Walnut



Rustic Elm



Nantucket



Maple



Shadow



Shimmer Ash



Zinc



Oxide



Titanium

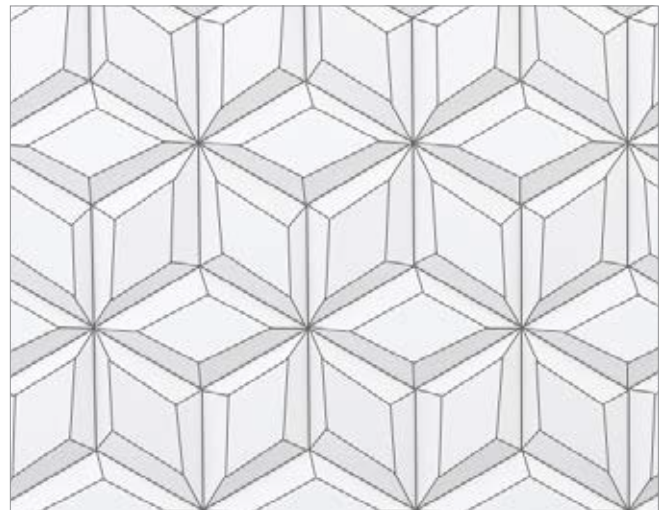


Copper

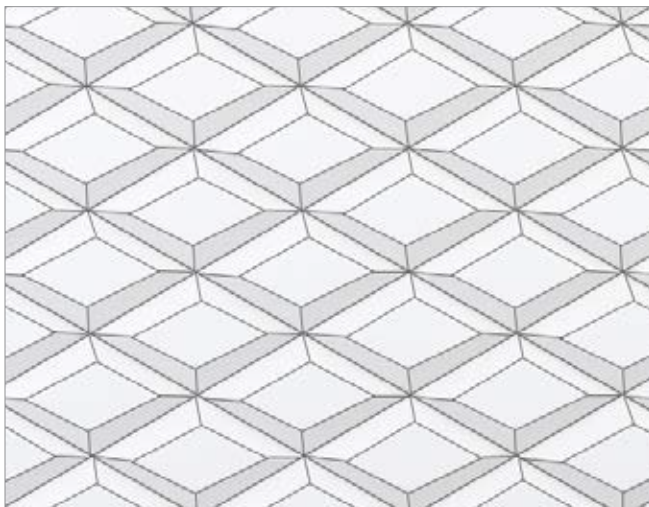
POINT SAMPLE PATTERNS



Chevron



Radial



Stack