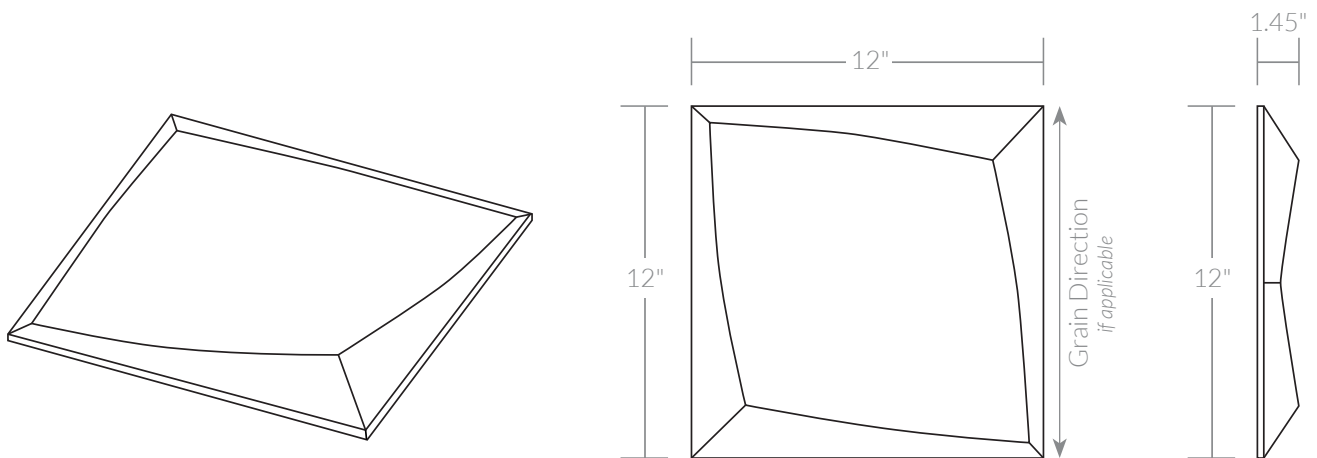


DIVE™



PRODUCT SPECIFICATIONS

Tiles are cast from Class A polyurethane foam, sanded by hand, and applied with a designer finish. Due to the artisanal nature each Kuvio tile is unique and imperfections are inherent in the design.



Coverage / Tile	1 sf.	Approx. Weight / Case	23 lbs.
Coverage / Case	20 sf.	Case Size	26.5" x 16" x 14"
Tile Base Size	12" x 12"	Approx. Weight / Tile	1 lb.
Thickness	1.45"	Tiles / Case	20

AVAILABLE FINISHES



Grigio Marble



Bianco Marble



Cotton



Concrete



Carbon Cedar



Walnut



Rustic Elm



Nantucket



Maple



Shadow



Shimmer Ash



Zinc



Oxide

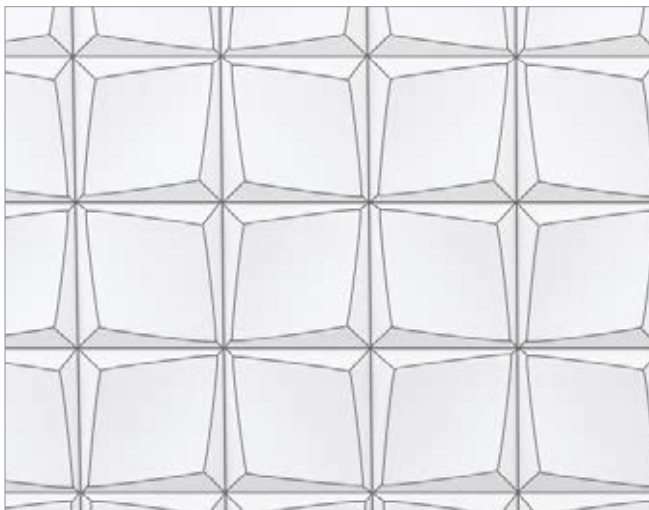


Titanium

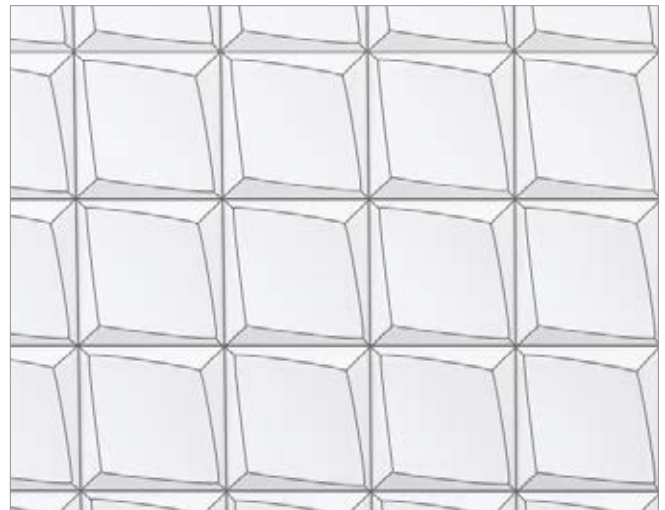


Copper

DIVE SAMPLE PATTERNS



Star



Directional Repeat



Alternating Diagonal