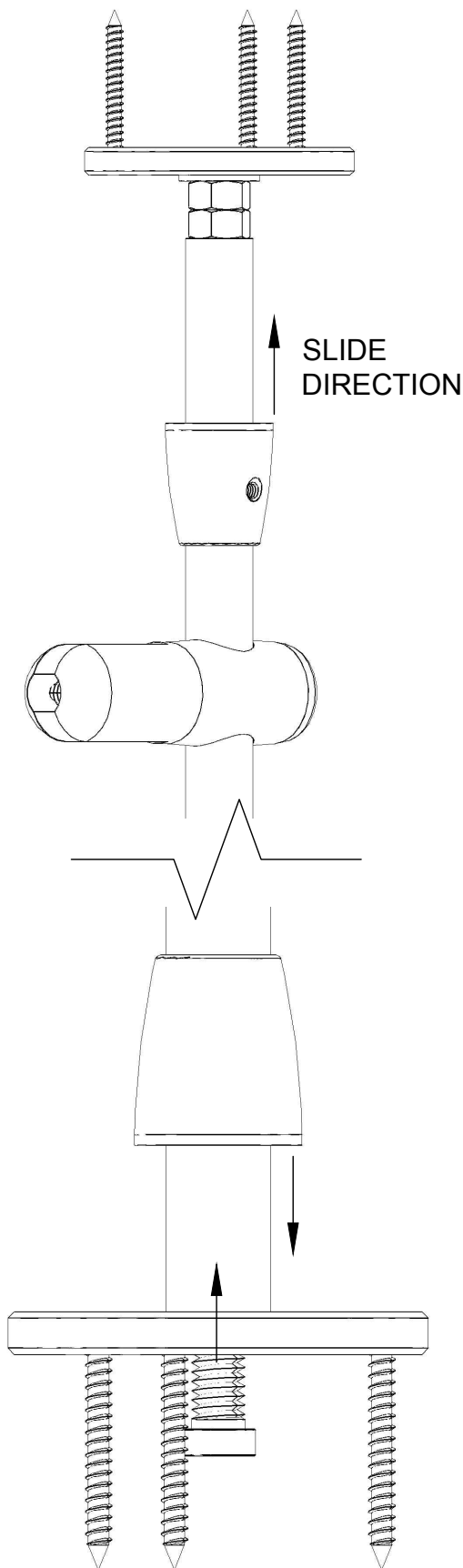



## INSTALLATION INSTRUCTIONS

1. MEASURE OPENING HEIGHT.
2. CUT ROD 1-1/4" SHORTER THAN OPENING HEIGHT.
3. TAP BOTH ENDS OF ROD TO 5/16-18.
4. ATTACH MOUNTING PLATE TO BOTTOM END OF ROD.
5. CAREFULLY SLIDE GRIPPERS ONTO THE ROD.
6. CAREFULLY SLIDE THREAD COVER ONTO ROD WITH SET SCREW END TOWARDS THE BOTTOM.
7. FIX THE 1-3/4" LOW HEAD CAP SCREW THROUGH TOP MOUNTING PLATE.
  - 7.1. ADD THE WASHER
  - 7.2. ADD THE TWO JAM NUTS
8. ATTACH TOP MOUNT ASSEMBLY TO THE TOP OF THE ROD. AS FAR IN AS POSSIBLE.
9. SET DOG BONE ASSEMBLY INTO POSITION.
10. SCREW BOTTOM MOUNT PLATE.
11. UNTHREAD TOP MOUNT ASSEMBLY UNTIL FLUSH WITH CEILING.
12. SCREW TOP PLATE TO CEILING.
13. USE JAM NUTS TO TENSION THE ROD.
14. USE THREAD COVER SET SCREW TO MOUNT COVER OVER THREADS & NUTS.
15. SLIDE SECONDARY COVER OVER BOTTOM OF ROD.
16. ALIGN AND SET GRIPPERS.



|  |  |                    |
|--|--|--------------------|
| <br><b>Lumicor.</b> | <b>ROD PARTITION</b><br>403.00   Installation Instructions   | Solution<br>403.00 |
|  | <small>These drawings have not been reviewed and approved by the architect and cannot ever be used for construction purposes. These drawings are for the exclusive use of Lumicor. Any use of these drawings by others will be at their own risk and lumicor will not be responsible for issues that may arise from their use.</small> | 12/23/19           |
|  | <small>© Lumicor 2019 — All Rights Reserved. For more information, visit <a href="http://www.lumicor.com">www.lumicor.com</a> or call 1.888.LUMICOR (888.586.4267)</small>   | Page 1 of 1        |