

Lumicor.

## LOW PROFILE SUSPENDED WALL

102.00 | INSTALLATION INSTRUCTIONS

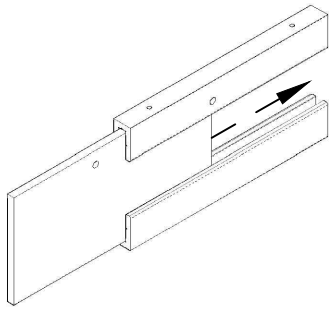
These drawings have not been reviewed and approved by the architect and cannot ever be used for construction purposes. These drawings are for the exclusive use of Lumicor. Any use of these drawings by others will be at their own risk and lumicor will not be responsible for issues that may arise from their use.

© Lumicor 2019 — All Rights Reserved. For more information, visit [www.lumicor.com](http://www.lumicor.com) or call 1.888.LUMICOR (888.586.4267)

Solution  
102.00

12/20/19

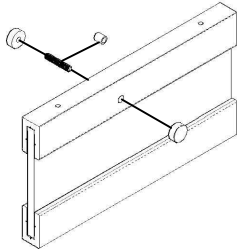
Page 1 of 2



## **INSTALLATION INSTRUCTIONS**

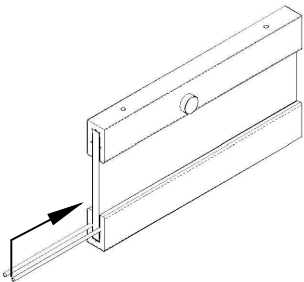
1. Mark MOUNTING HOLES FOR UPPER CHANNEL AND DRILL PILOT HOLES. SECURE UPPER CHANNEL TO CEILING USING SUBSTRATE APPROPRIATE HARDWARE.

2. TEMPORARILY HANG MATERIAL TO CHECK FITTING AND ALIGNMENT WITH LOWER CHANNEL. THE USE OF A PLUMB BOB WILL EXPEDITE THIS STEP.



3. REMOVE HANGING MATERIAL FROM TOP MOUNT. SECURE LOWER CHANNEL IN PLACE WITH APPROPRIATE ANCHOR HARDWARE.

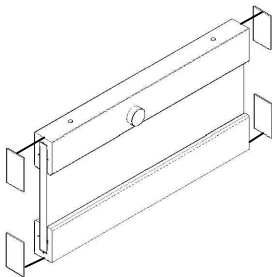
4. RE-INSTALL MATERIAL BY SLIDING THE PANEL IN FROM THE END OF THE CHANNEL.



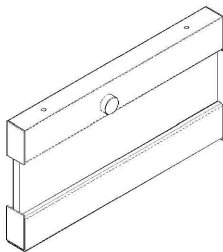
5. INSERT HANGING STUDS AND SCREW ON CAPS.

6. THE C-CHANNEL INSTALLATION KIT SECURES THE BOTTOM OF MATERIAL, SQUEEZING IT IN PLACE TO PREVENT MOVEMENT.


7. NOTE: THE KIT INCLUDES SHIMS & SPATULA TOOLS, ALONG WITH TWO DIFFERENT DIAMETER RUBBER CORDS TO FIT DOWN INTO THE CHANNEL'S V-GROOVES. (THE SMALLER DIAMETER FOR USE WITH  $\frac{1}{2}$ " GAUGE MATERIAL WHILE THE LARGER CORD WILL BE USED WITH  $\frac{3}{8}$ " GAUGE PANELS)



8. PLACE THE SHIMS INTO SLOT BESIDE PANEL ON ONE SIDE, AND INSTALL THE APPROPRIATE CORD INTO THE SLOT ON THE OPPOSITE SIDE, ENSURING IT IS ENGAGED IN THE V-GROOVE CUT INTO THE INNER SIDE OF THE CHANNEL. REPEAT THIS PROCESS ON THE SHIMMED SIDE BY STARTING THE CORD FIRST AND THEN REMOVING THE SHIMS ONE AT A TIME AS YOU TRAVEL ALONG THE LENGTH OF THE CHANNEL.



9. TRIM CORD AS NECESSARY AND ADHERE THE FINISHING CAPS ON THE ENDS.

	<h3>LOW PROFILE SUSPENDED WALL</h3> <p>102.00   INSTALLATION INSTRUCTIONS</p>	Solution 102.00
	<p><small>These drawings have not been reviewed and approved by the architect and cannot ever be used for construction purposes. These drawings are for the exclusive use of Lumicor. Any use of these drawings by others will be at their own risk and lumicor will not be responsible for issues that may arise from their use.</small></p>	12/20/19
	<p><small>© Lumicor 2019 — All Rights Reserved. For more information, visit <a href="http://www.lumicor.com">www.lumicor.com</a> or call 1.888.LUMICOR (888.586.4267)</small></p>	Page 2 of 2