

A

B

C

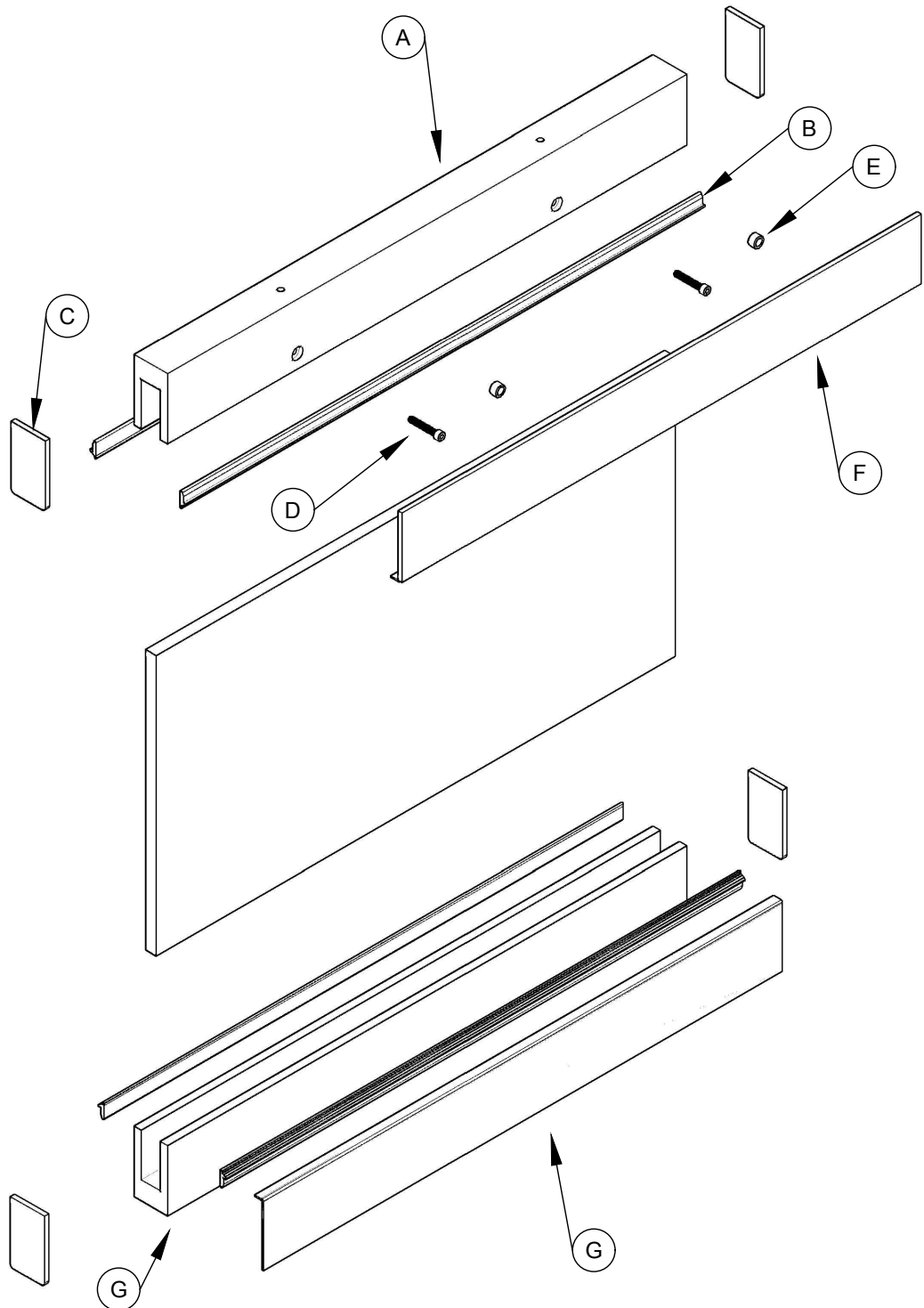
D

E

F

G

G



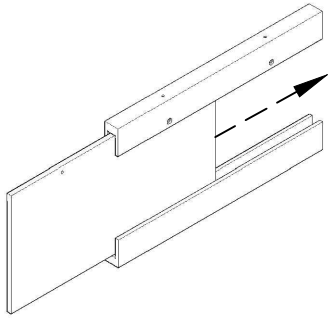
SUSPENDED WALL

101.00 | INSTALLATION INSTRUCTIONS

These drawings have not been reviewed and approved by the architect and cannot ever be used for construction purposes. These drawings are for the exclusive use of Lumicor. Any use of these drawings by others will be at their own risk and lumicor will not be responsible for issues that may arise from their use.

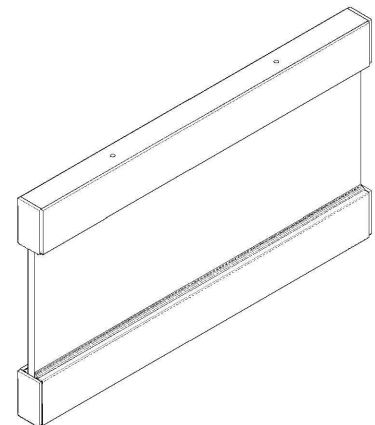
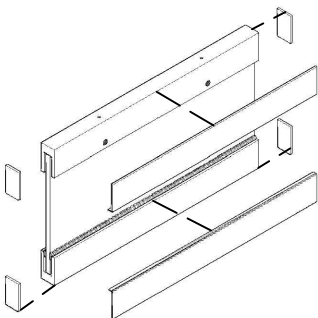
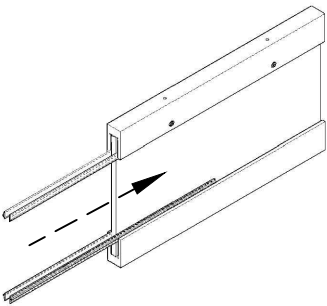
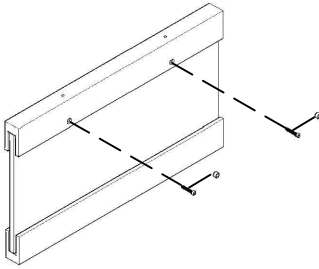
© Lumicor 2019 — All Rights Reserved. For more information, visit www.lumicor.com or call 1.888.LUMICOR (888.586.4267)

Solution 101.00
12/20/19
Page 1 of 2



INSTALLATION INSTRUCTIONS

1. INSTALL TOP AND BOTTOM TRACK. ALL HARDWARE MUST BE ATTACHED TO A STRUCTURAL MEMBER. (SHIM AS NEEDED)
 - 1.1. TOP TRACK HAS COUNTERSUNK HOLES FOR SECURING LUMICOR PANEL AT THE TOP.
2. INSERT NYLON BUSHING INTO HOLES IN LUMICOR PANEL.
3. POSITION LUMICOR PANEL IN TOP AND BOTTOM TRACK, ALIGNING HOLES IN PANEL WITH HOLES IN TOP TRACK.
 - 3.1. SMALL CLAMP MAY MAKE IT EASIER TO MANEUVER PANELS.
4. SECURE PANEL TO TOP TRACK (THROUGH NYLON BUSHINGS) WITH $\frac{1}{4}$ "-20 FHMS.
5. *FOR SIDE BY SIDE INSTALLATIONS: USE CLEAR MALL CLMAPS TO ALIGN LUMICOR PANELS SIDE BY SIDE.
6. USING ACID FREE SILICONE (NOT INCLUDED) ATTACH THE FINISH CLADDING AND END CAPS.
7. INSERT RUBBER SEAL BETWEEN HARDWARE TRACK AND LUMICOR PANEL, TOP AND BOTTOM.



SUSPENDED WALL 101.00 | INSTALLATION INSTRUCTIONS

These drawings have not been reviewed and approved by the architect and cannot ever be used for construction purposes. These drawings are for the exclusive use of Lumicor. Any use of these drawings by others will be at their own risk and lumicor will not be responsible for issues that may arise from their use.

© Lumicor 2019 — All Rights Reserved. For more information, visit www.lumicor.com or call 1.888.LUMICOR (888.586.4267)

Solution
101.00

12/20/19

Page 2 of 2