

**COVA**  
601.08 | 23" x 47" Rectangle

These drawings have not been reviewed and approved by the architect and cannot ever be used for construction purposes. These drawings are for the exclusive use of Lumicor. Any use of these drawings by others will be at their own risk and lumicor will not be responsible for issues that may arise from their use.

© Lumicor 2019 — All Rights Reserved. For more information, visit [www.lumicor.com](http://www.lumicor.com) or call 1.888.LUMICOR (888.586.4267)

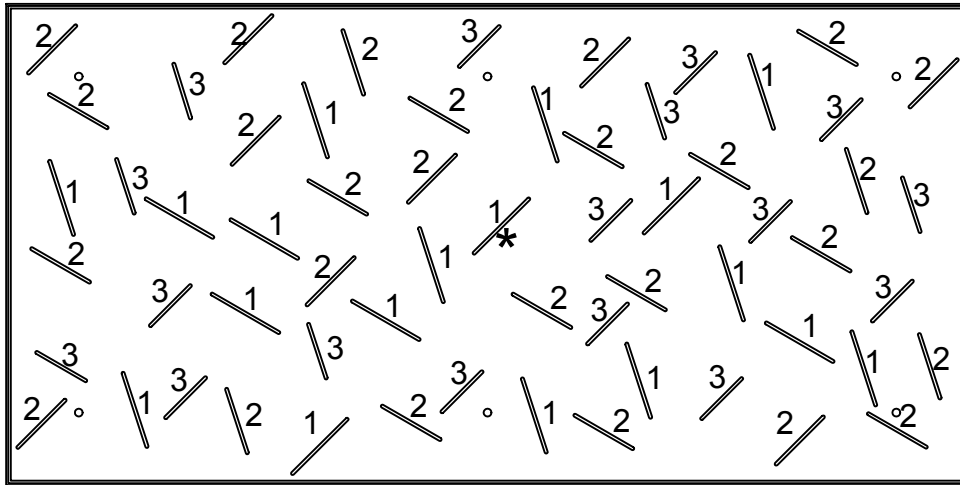
Patent Pending

Solution  
601.08

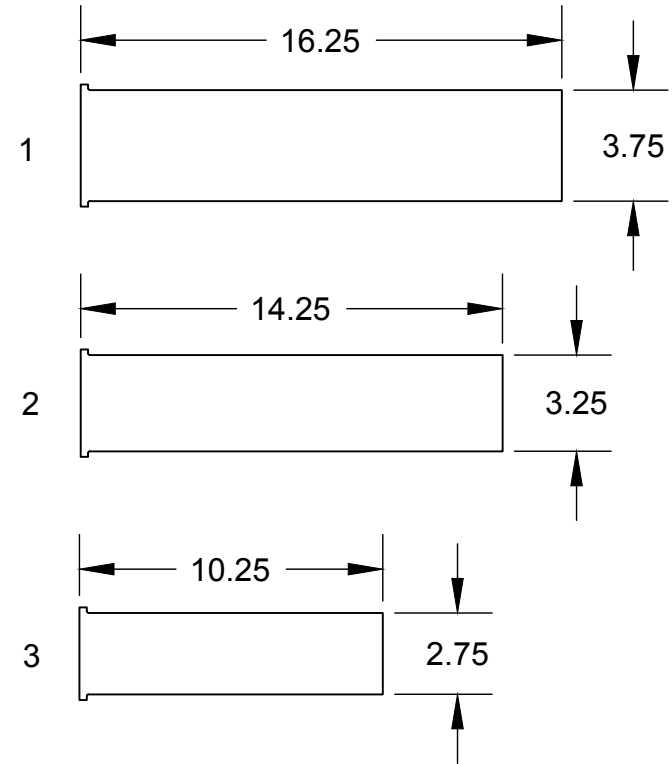
11/15/19

Page 1 of 3


BLADE LAYOUT



BLADE DETAIL



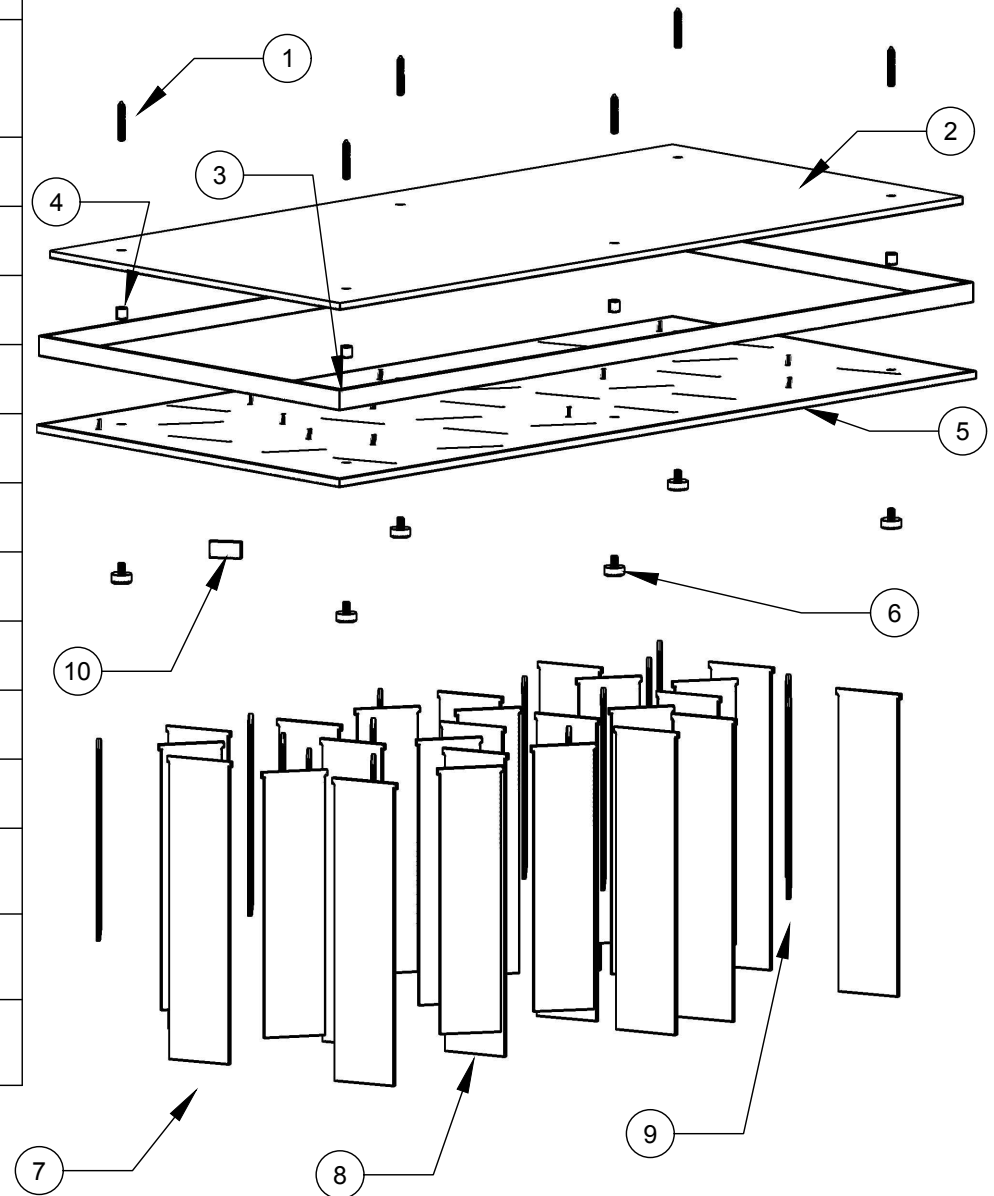
\*INDICATES WIRE EXIT LOCATION FOR PLACEMENT OF CUSTOMER PROVIDED ENCLOSURE

	<p><b>COVA</b> 601.08   23" x 47" Rectangle</p>	<p>Solution 601.08</p>
	<p>These drawings have not been reviewed and approved by the architect and cannot ever be used for construction purposes. These drawings are for the exclusive use of Lumicor. Any use of these drawings by others will be at their own risk and lumicor will not be responsible for issues that may arise from their use.</p>	<p>11/15/19</p>
	<p>© Lumicor 2019 — All Rights Reserved. For more information, visit <a href="http://www.lumicor.com">www.lumicor.com</a> or call 1.888.LUMICOR (888.586.4267)</p>	<p>Page 2 of 3</p>

Patent Pending

# PARTS LIST

ITEM NUMBER	ITEM DESCRIPTION	QTY PER FIXTURE
1	ANCHOR	6
2	LUMILIGHT PANEL	1
3	LUMICOR SKIRT	1
4	STANDOFF	6
5	COVA LID	1
6	STANDOFF CAP	6
7	COVA BLADE 1	18
8	COVA BLADE 2	26
9	COVA BLADE 3	17
10	SKIRT CONNECTION	1
11	DOC. COVA INSTALL INSTRUCTIONS	1
12	DOC. LUMILIGHT WIRE DIAGRAM	1
13	DOC. COVA 601.08 DRAWINGS	1



Lumicor.

## COVA 601.08 | 23" x 47" Rectangle

These drawings have not been reviewed and approved by the architect and cannot ever be used for construction purposes. These drawings are for the exclusive use of Lumicor. Any use of these drawings by others will be at their own risk and lumicor will not be responsible for issues that may arise from their use.

© Lumicor 2019 — All Rights Reserved. For more information, visit [www.lumicor.com](http://www.lumicor.com) or call 1.888.LUMICOR (888.586.4267)

Patent Pending

Solution  
601.08

11/15/19

Page 3 of 3