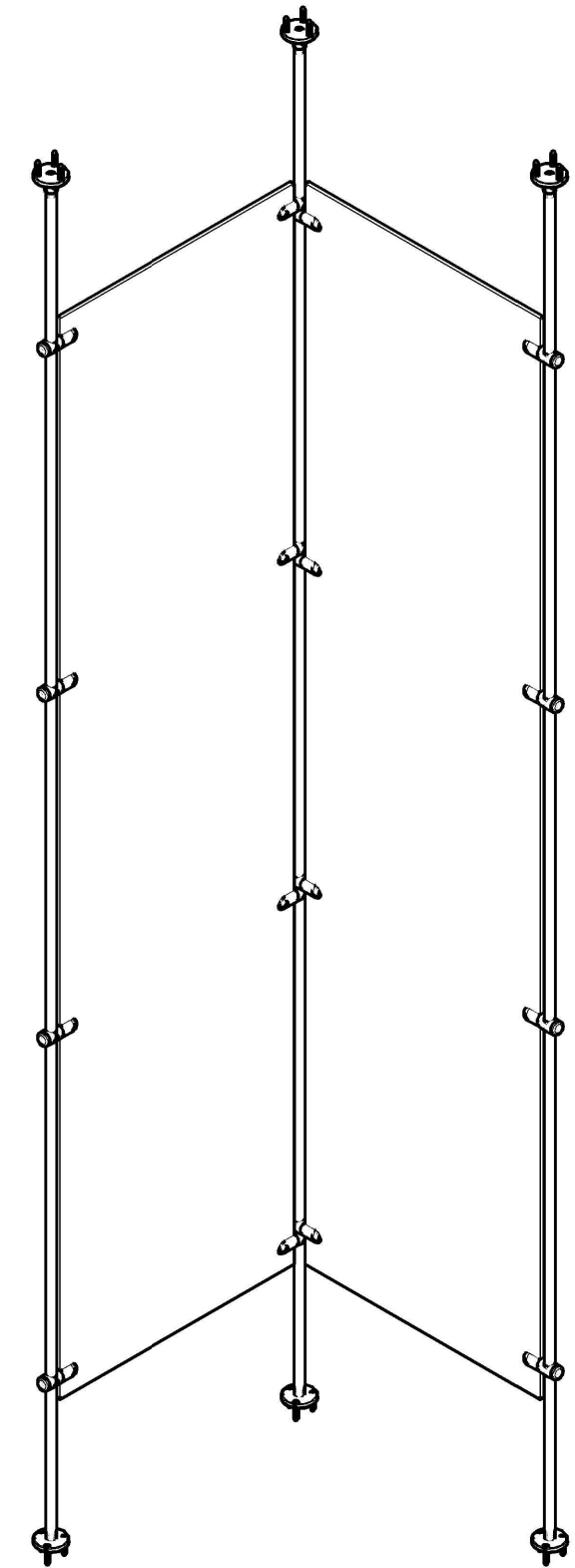


DETAIL A



ROD PARTITION
403.03 | .236 Corner Section

These drawings have not been reviewed and approved by the architect and cannot ever be used for construction purposes. These drawings are for the exclusive use of Lumicor. Any use of these drawings by others will be at their own risk and lumicor will not be responsible for issues that may arise from their use.

© Lumicor 2019 — All Rights Reserved. For more information, visit www.lumicor.com or call 1.888.LUMICOR (888.586.4267)

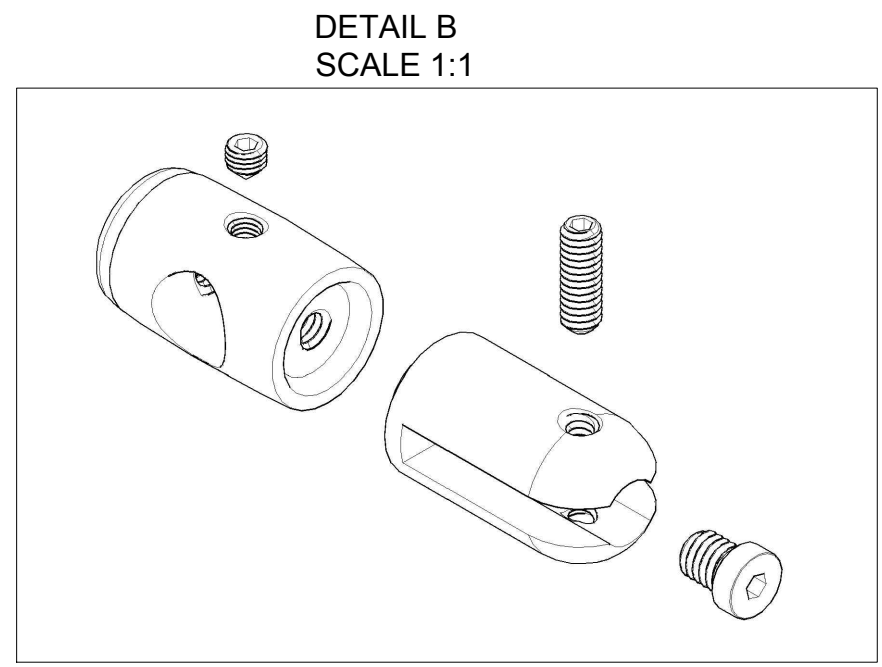
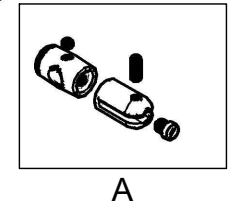
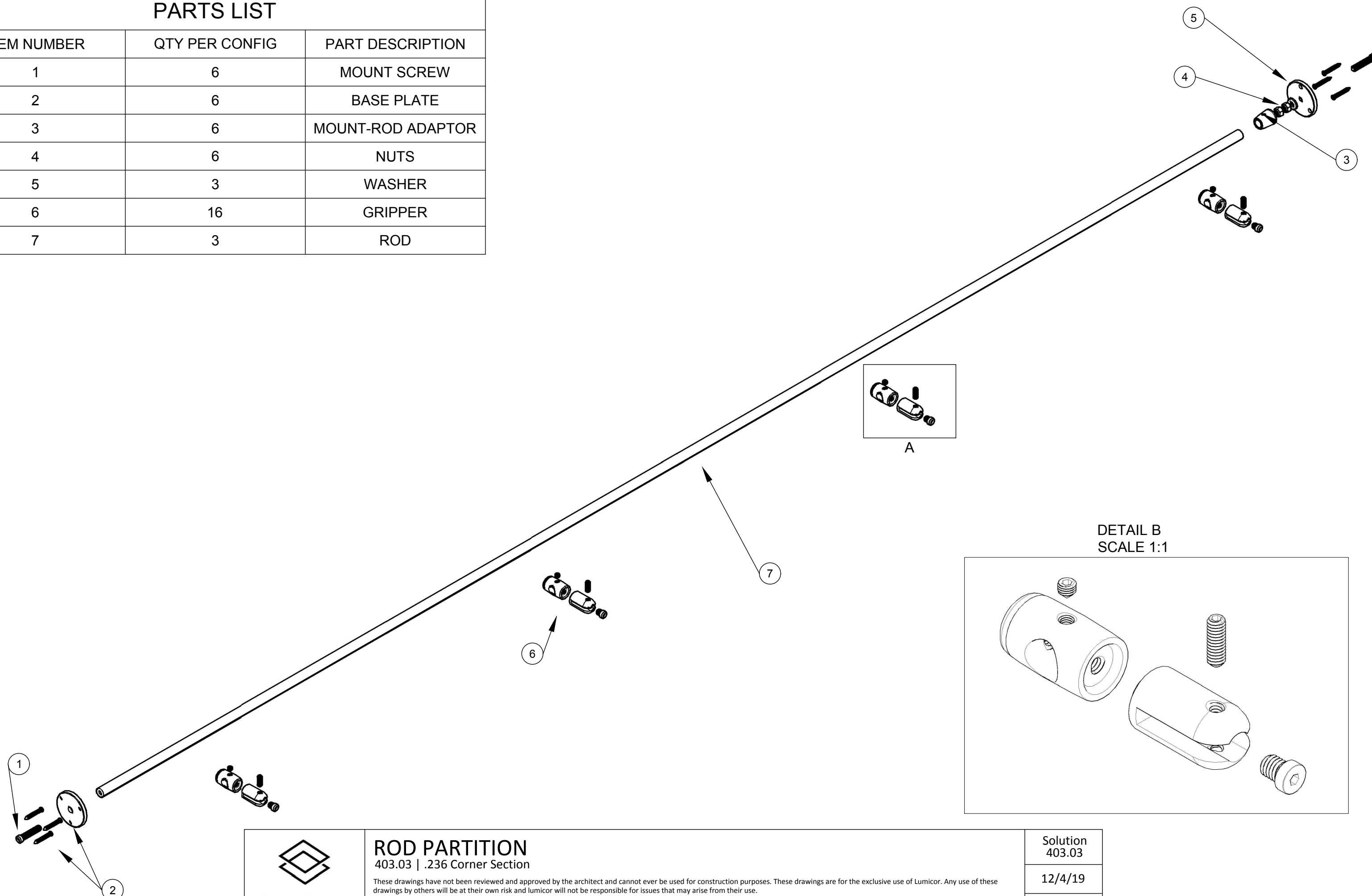
Solution
403.03


12/4/19

Page 1 of 2

PARTS LIST

ITEM NUMBER	QTY PER CONFIG	PART DESCRIPTION
1	6	MOUNT SCREW
2	6	BASE PLATE
3	6	MOUNT-ROD ADAPTOR
4	6	NUTS
5	3	WASHER
6	16	GRIPPER
7	3	ROD



	ROD PARTITION 403.03 .236 Corner Section	Solution 403.03
	These drawings have not been reviewed and approved by the architect and cannot ever be used for construction purposes. These drawings are for the exclusive use of Lumicor. Any use of these drawings by others will be at their own risk and lumicor will not be responsible for issues that may arise from their use.	12/4/19
	© Lumicor 2019 — All Rights Reserved. For more information, visit www.lumicor.com or call 1.888.LUMICOR (888.586.4267)	Page 2 of 2