

**ROD PARTITION**  
403.02 | .236 Addon Section

These drawings have not been reviewed and approved by the architect and cannot ever be used for construction purposes. These drawings are for the exclusive use of Lumicor. Any use of these drawings by others will be at their own risk and lumicor will not be responsible for issues that may arise from their use.

© Lumicor 2019 — All Rights Reserved. For more information, visit [www.lumicor.com](http://www.lumicor.com) or call 1.888.LUMICOR (888.586.4267)

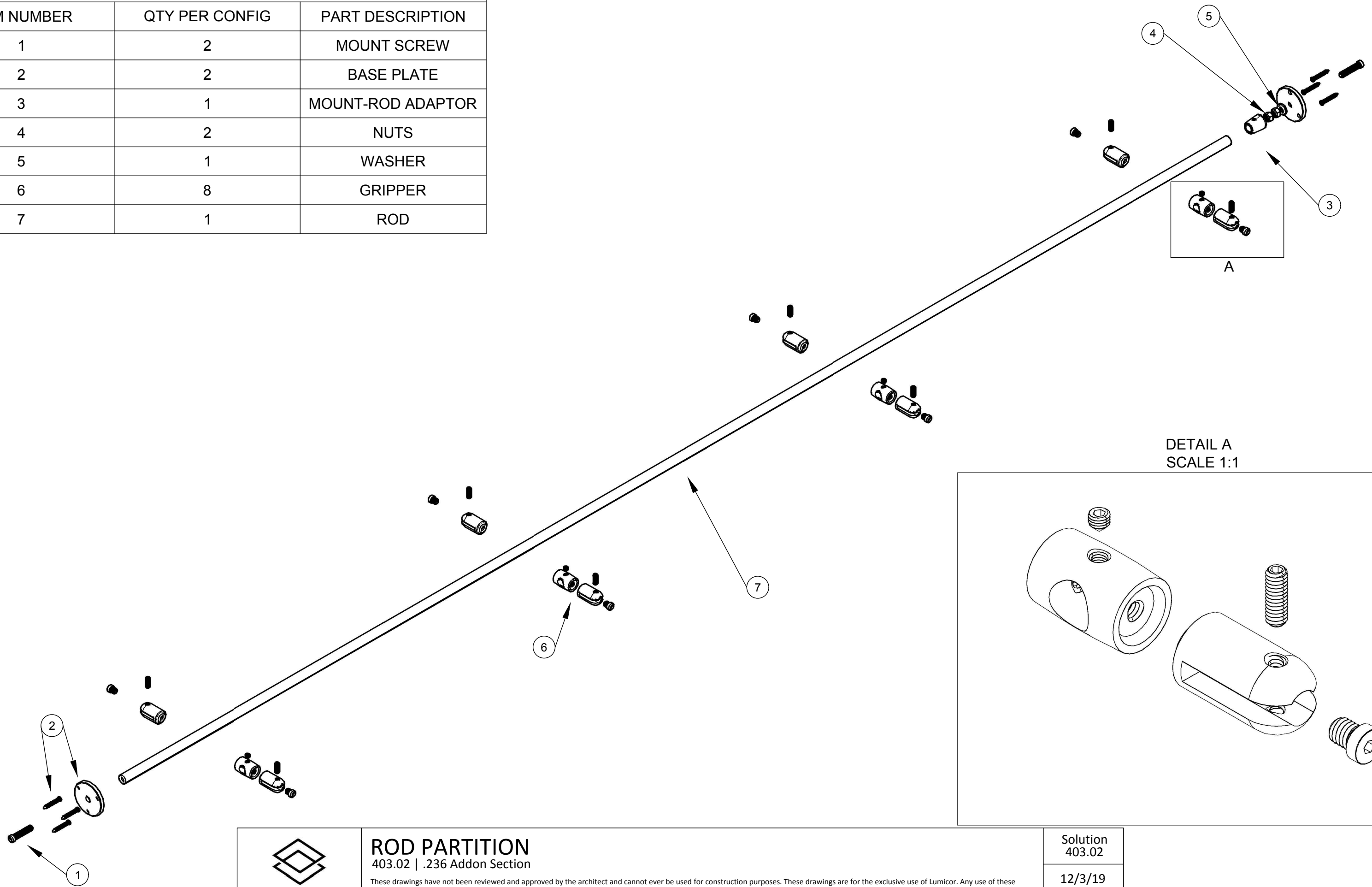
Solution  
403.02

12/3/19

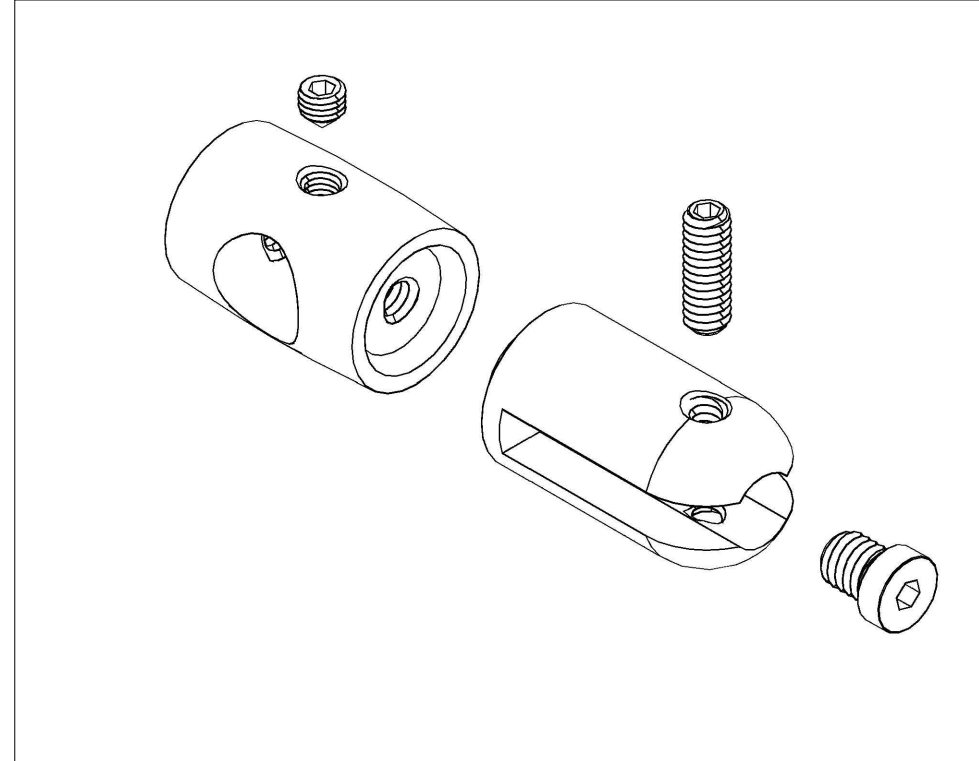
Page 1 of 2


# PARTS LIST

ITEM NUMBER	QTY PER CONFIG	PART DESCRIPTION
1	2	MOUNT SCREW
2	2	BASE PLATE
3	1	MOUNT-ROD ADAPTOR
4	2	NUTS
5	1	WASHER
6	8	GRIPPER
7	1	ROD



DETAIL A  
SCALE 1:1



	<b>ROD PARTITION</b> 403.02   .236 Addon Section	Solution 403.02
	<small>These drawings have not been reviewed and approved by the architect and cannot ever be used for construction purposes. These drawings are for the exclusive use of Lumicor. Any use of these drawings by others will be at their own risk and lumicor will not be responsible for issues that may arise from their use.</small>	12/3/19
	<small>© Lumicor 2019 — All Rights Reserved. For more information, visit <a href="http://www.lumicor.com">www.lumicor.com</a> or call 1.888.LUMICOR (888.586.4267)</small>	Page 2 of 2