

SUSPENDED WALL
101.02 | .472 Single Section

These drawings have not been reviewed and approved by the architect and cannot ever be used for construction purposes. These drawings are for the exclusive use of Lumicor. Any use of these drawings by others will be at their own risk and lumicor will not be responsible for issues that may arise from their use.

© Lumicor 2019 — All Rights Reserved. For more information, visit www.lumicor.com or call 1.888.LUMICOR (888.586.4267)

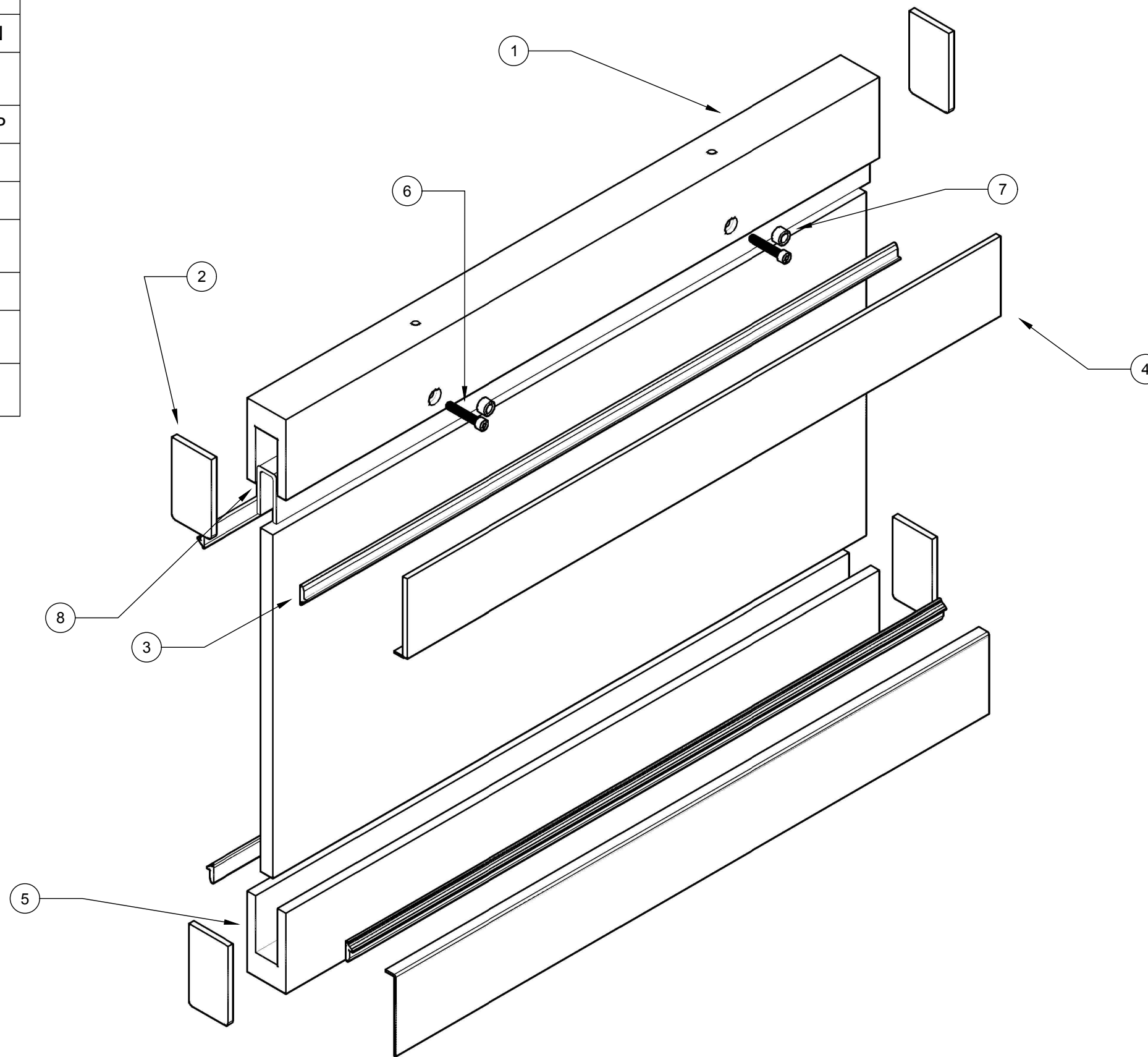
Solution
101.02

10/9/19

Page 2 of 3

PARTS LIST

ITEM NUMBER	QTY	DESCRIPTION
1	1	TOP TRACK
2	4	CHANNEL CAP
3	4	GASKET
4	2	CLADDING
5	1	BOTTOM TRACK
6	3	SCREW
7	3	NYLON BUSHING
8	1	SPLINE



SUSPENDED WALL 101.02 | .472 Single Section

These drawings have not been reviewed and approved by the architect and cannot ever be used for construction purposes. These drawings are for the exclusive use of Lumicor. Any use of these drawings by others will be at their own risk and lumicor will not be responsible for issues that may arise from their use.

© Lumicor 2019 — All Rights Reserved. For more information, visit www.lumicor.com or call 1.888.LUMICOR (888.586.4267)

Solution
101.02

10/9/19

Page 3 of 3