
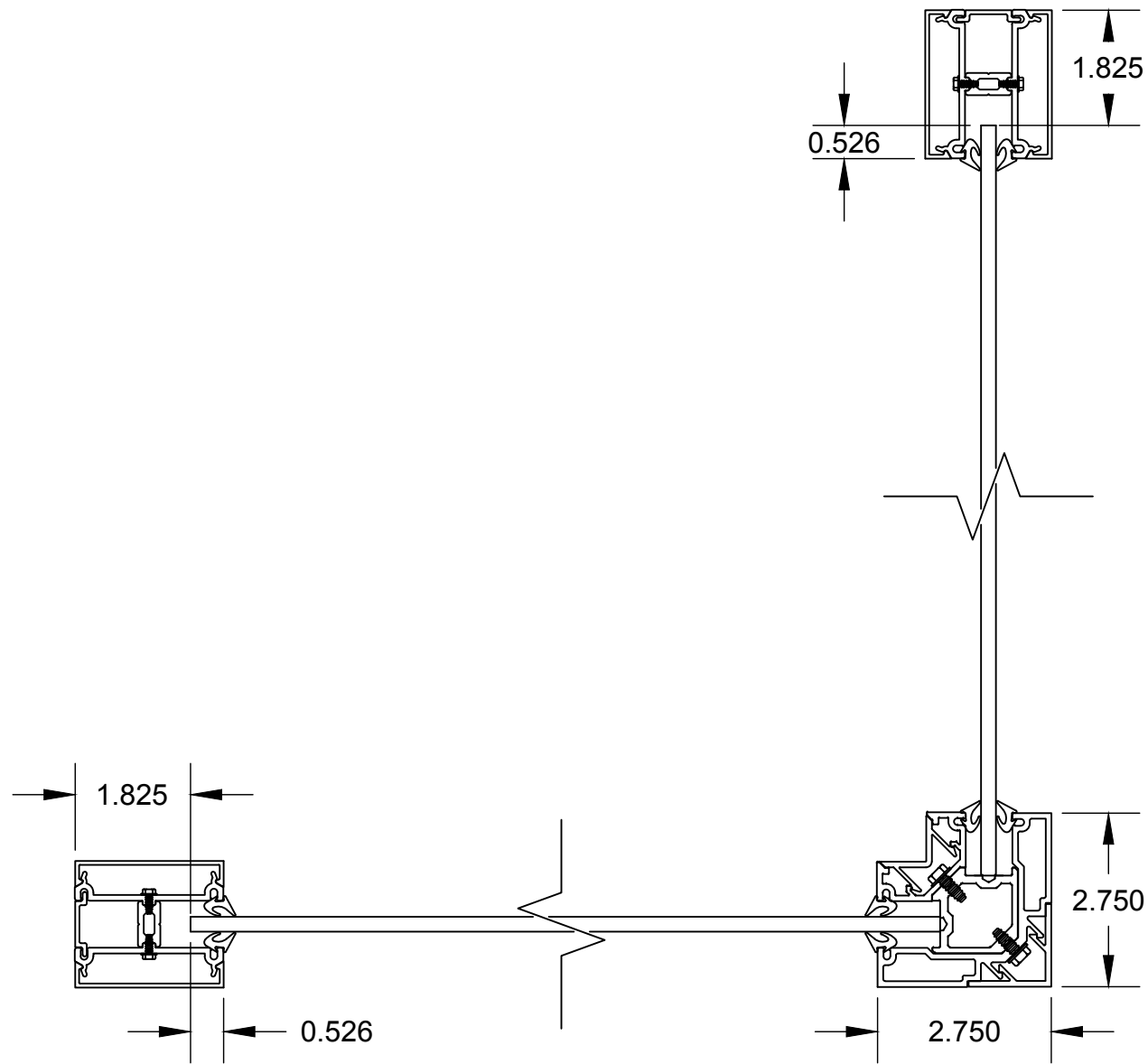
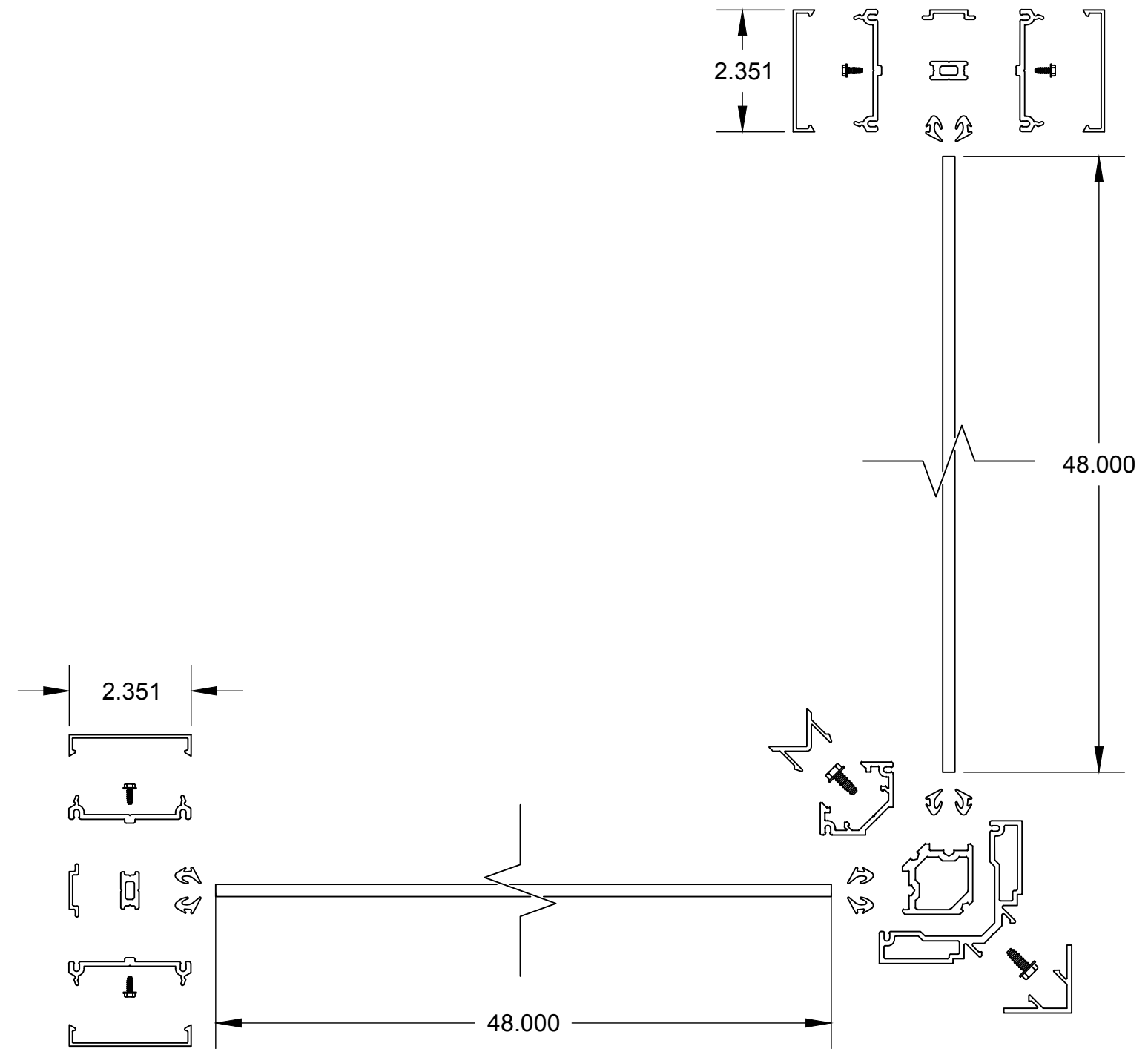


| | | |
|---|--|--------------------|
|  | FRAMED WALL 100.06 .472 Corner Section | Solution 100.06 |
| | <small>These drawings have not been reviewed and approved by the architect and cannot ever be used for construction purposes. These drawings are for the exclusive use of Lumicor. Any use of these drawings by others will be at their own risk and lumicor will not be responsible for issues that may arise from their use.</small> | 10/24/19 |
| | <small>© Lumicor 2019 — All Rights Reserved. For more information, visit www.lumicor.com or call 1.888.LUMICOR (888.586.4267)</small> | Page 1 of 6 |


ASSEMBLED



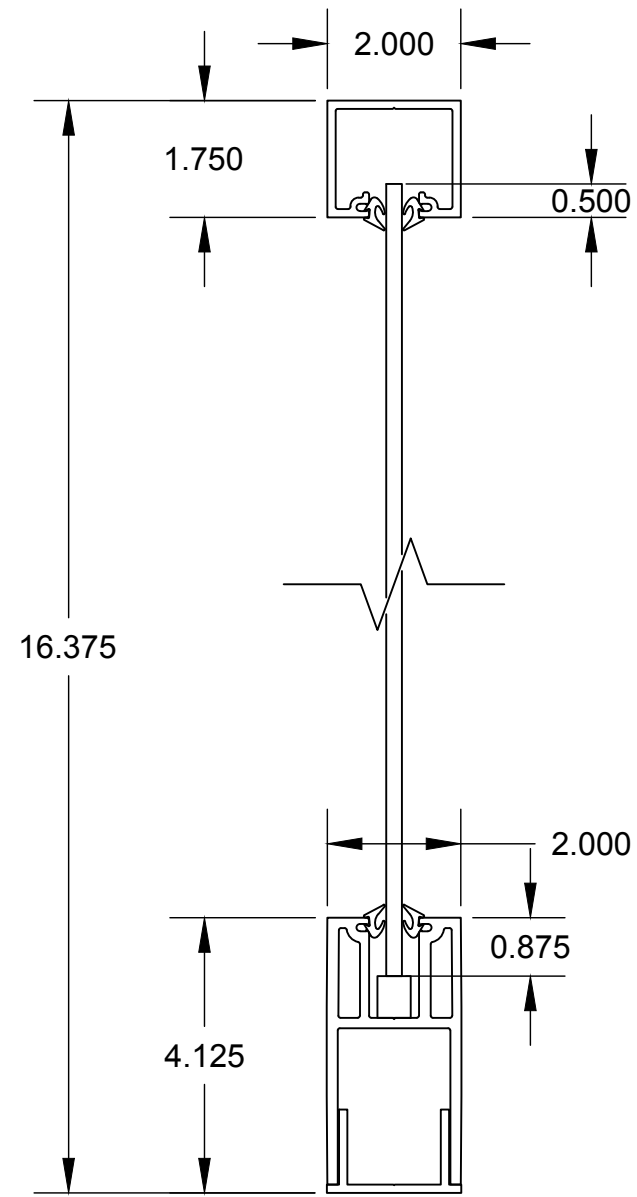
EXPLODED



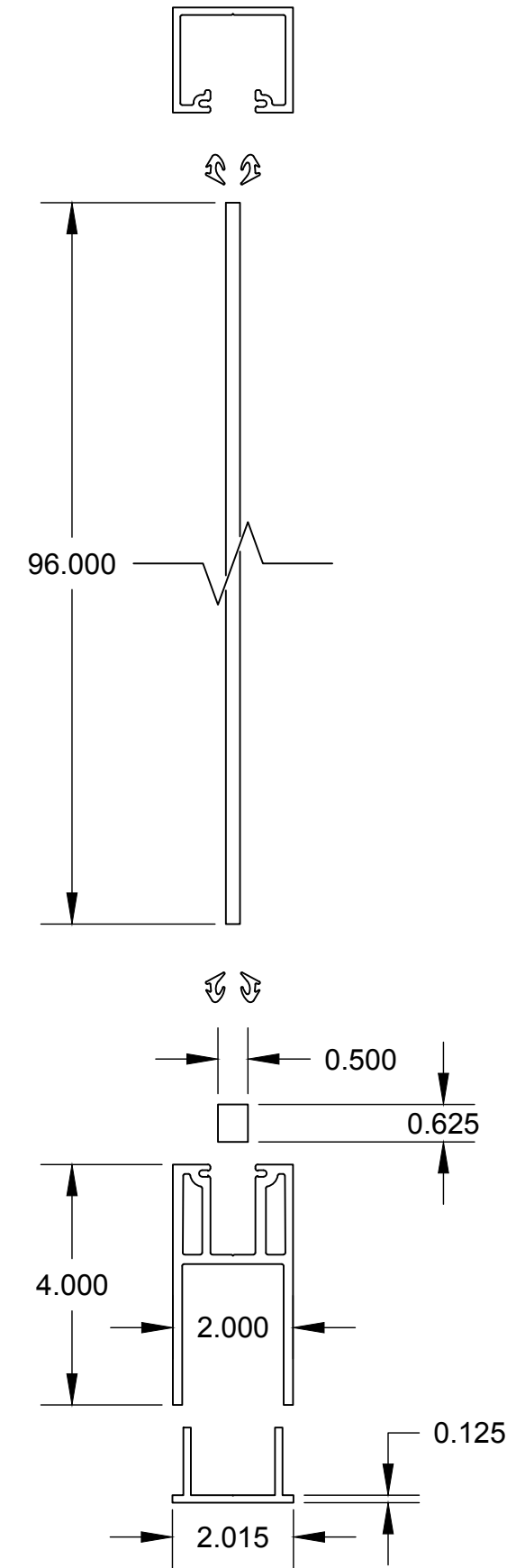
SECTION VIEW A

| | | |
|---|---|--------------------|
|  | FRAMED WALL 100.06 .472 Corner Section | Solution 100.06 |
| | These drawings have not been reviewed and approved by the architect and cannot ever be used for construction purposes. These drawings are for the exclusive use of Lumicor. Any use of these drawings by others will be at their own risk and lumicor will not be responsible for issues that may arise from their use. | 10/24/19 |
| | © Lumicor 2019 — All Rights Reserved. For more information, visit www.lumicor.com or call 1.888.LUMICOR (888.586.4267) | Page 2 of 6 |


ASSEMBLED



EXPLODED

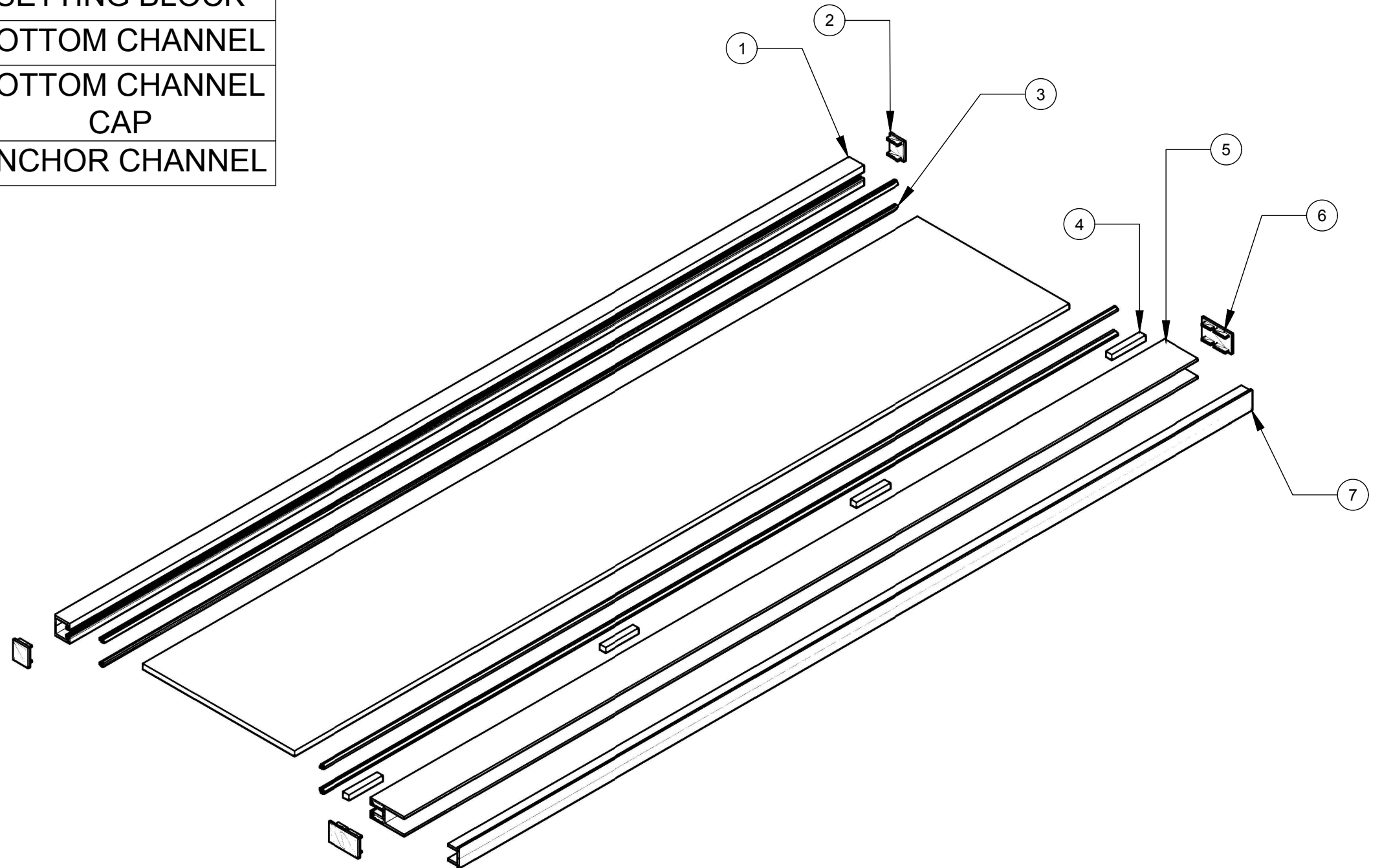


SECTION VIEW **B**

| | | |
|---|--|--------------------|
|  | FRAMED WALL 100.06 .472 Corner Section | Solution 100.06 |
| | <small>These drawings have not been reviewed and approved by the architect and cannot ever be used for construction purposes. These drawings are for the exclusive use of Lumicor. Any use of these drawings by others will be at their own risk and lumicor will not be responsible for issues that may arise from their use.</small> | 10/24/19 |
| | <small>© Lumicor 2019 — All Rights Reserved. For more information, visit www.lumicor.com or call 1.888.LUMICOR (888.586.4267)</small> | Page 3 of 6 |

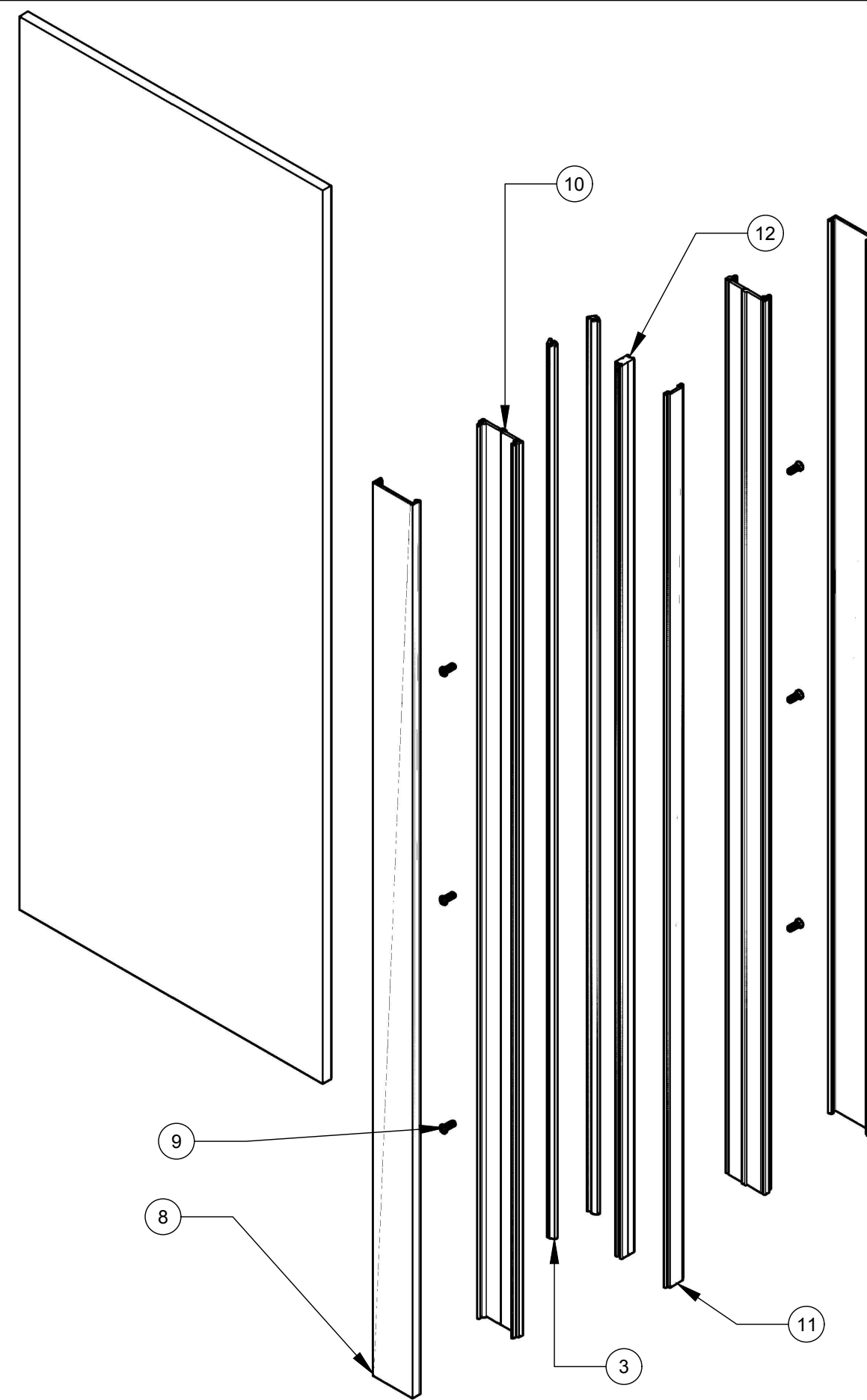
PARTS LIST

| ITEM NUMBER | QTY | DESCRIPTION |
|-------------|-------|--------------------|
| 1 | 2 | C CHANNEL |
| 2 | 2 | C CHANNEL CAP |
| 3 | 50 Ft | GASKET |
| 4 | 8 | SETTING BLOCK |
| 5 | 2 | BOTTOM CHANNEL |
| 6 | 2 | BOTTOM CHANNEL CAP |
| 7 | 2 | ANCHOR CHANNEL |



PARTS LIST

| ITEM NUMBER | QTY | DESCRIPTION |
|-------------|-----|--------------------------------------|
| 8 | 2 | OUTSIDE "H" SMOOTH COVER SCREW |
| 9 | 17 | SCREW |
| 10 | 2 | INSIDE "H" SMOOTH COVER FILLER STRIP |
| 11 | 2 | FILLER STRIP |
| 12 | 4 | VERTICAL UPRIGHT CENTER |



FRAMED WALL 100.06 | .472 Corner Section

These drawings have not been reviewed and approved by the architect and cannot ever be used for construction purposes. These drawings are for the exclusive use of Lumicor. Any use of these drawings by others will be at their own risk and lumicor will not be responsible for issues that may arise from their use.

© Lumicor 2019 — All Rights Reserved. For more information, visit www.lumicor.com or call 1.888.LUMICOR (888.586.4267)

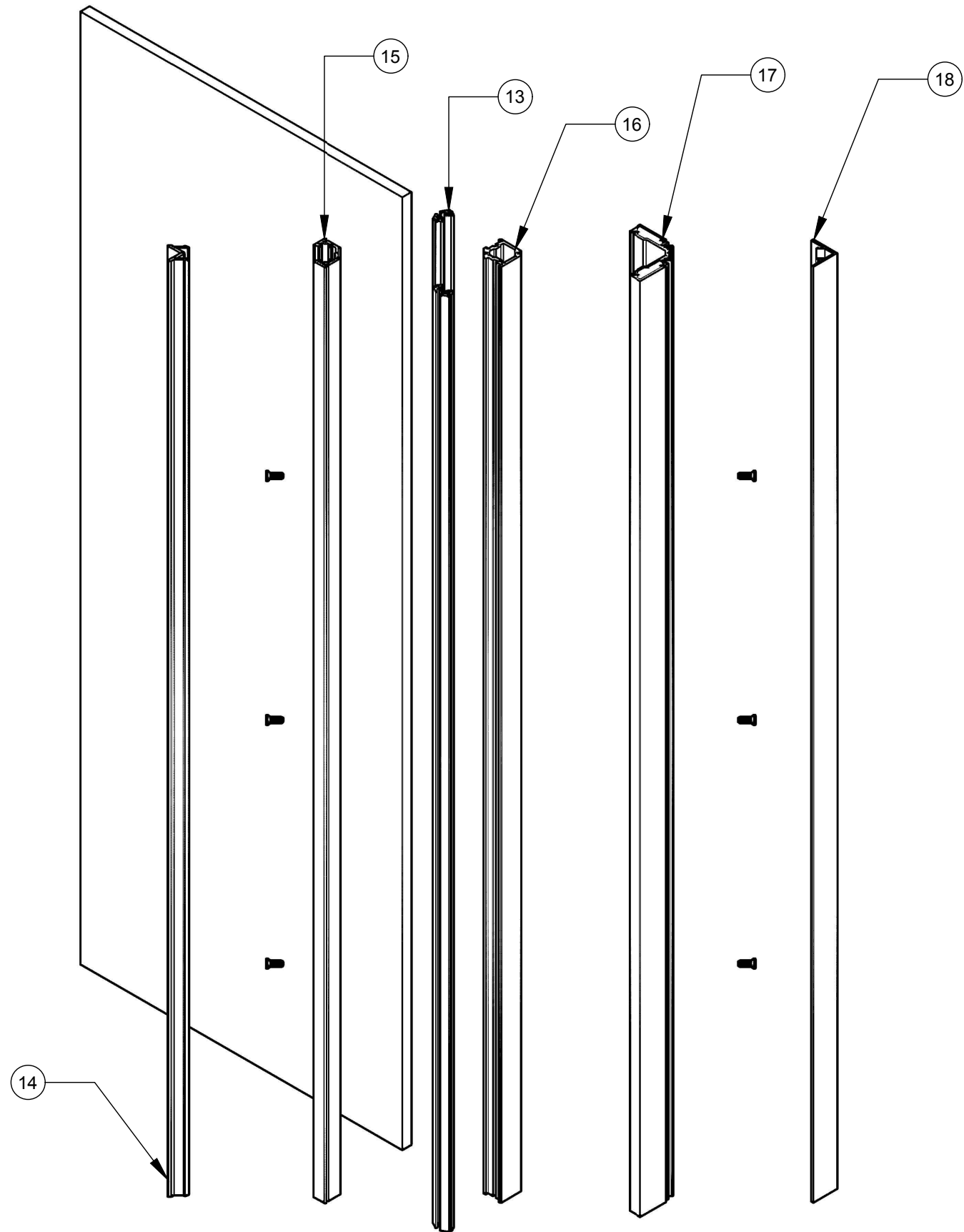
Solution
100.06

10/24/19

Page 5 of 6

PARTS LIST

| ITEM NUMBER | QTY | DESCRIPTION |
|-------------|-----|-------------------|
| 14 | 1 | 90 INSIDE UPRIGHT |
| 15 | 1 | 90 INSIDE COVER |
| 16 | 1 | 90 UPRIGHT CENTER |
| 17 | 1 | OUTSIDE UPRIGHT |
| 18 | 1 | 90 OUTSIDE COVER |



FRAMED WALL 100.06 | .472 Corner Section

These drawings have not been reviewed and approved by the architect and cannot ever be used for construction purposes. These drawings are for the exclusive use of Lumicor. Any use of these drawings by others will be at their own risk and lumicor will not be responsible for issues that may arise from their use.

© Lumicor 2019 — All Rights Reserved. For more information, visit www.lumicor.com or call 1.888.LUMICOR (888.586.4267)

Solution
100.06

10/24/19

Page 6 of 6