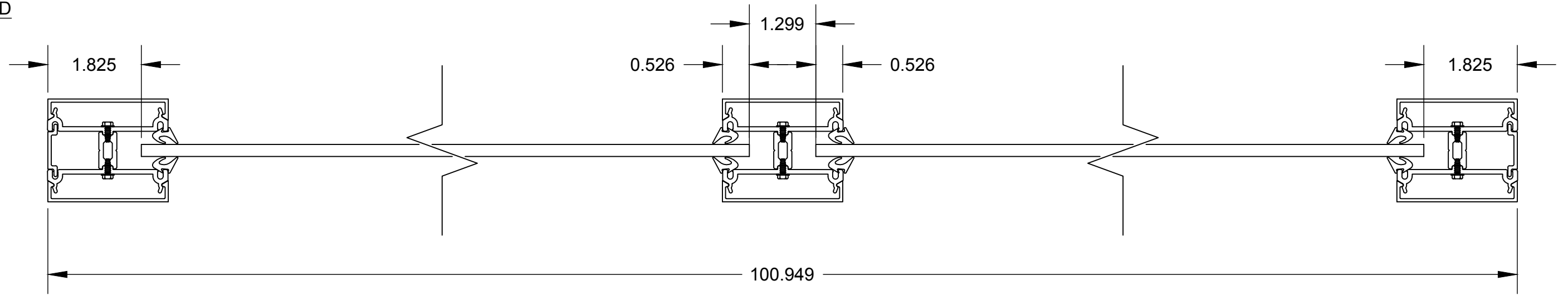
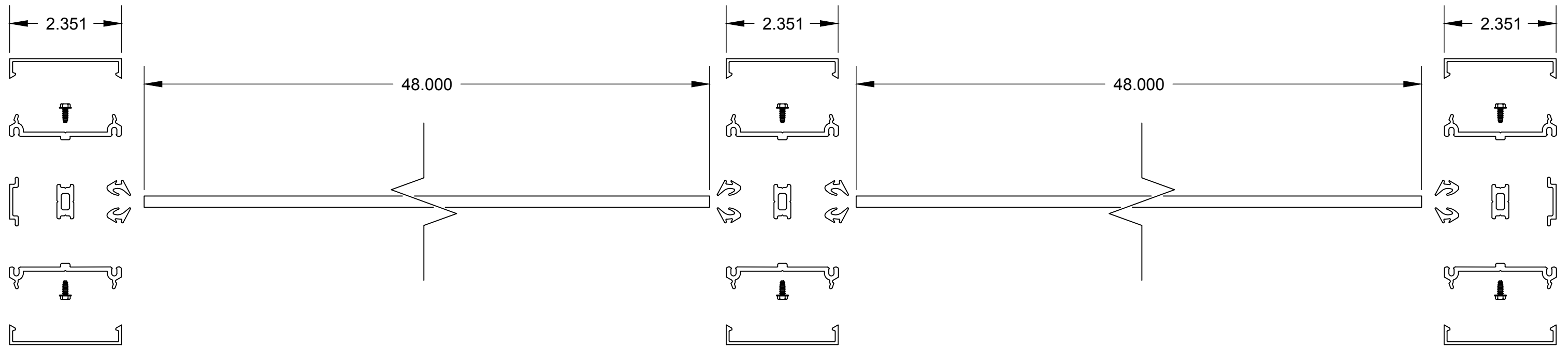


ASSEMBLED



EXPLODED



SECTION VIEW **A**



FRAMED WALL
100.05 | .472 Addon Section

These drawings have not been reviewed and approved by the architect and cannot ever be used for construction purposes. These drawings are for the exclusive use of Lumicor. Any use of these drawings by others will be at their own risk and lumicor will not be responsible for issues that may arise from their use.

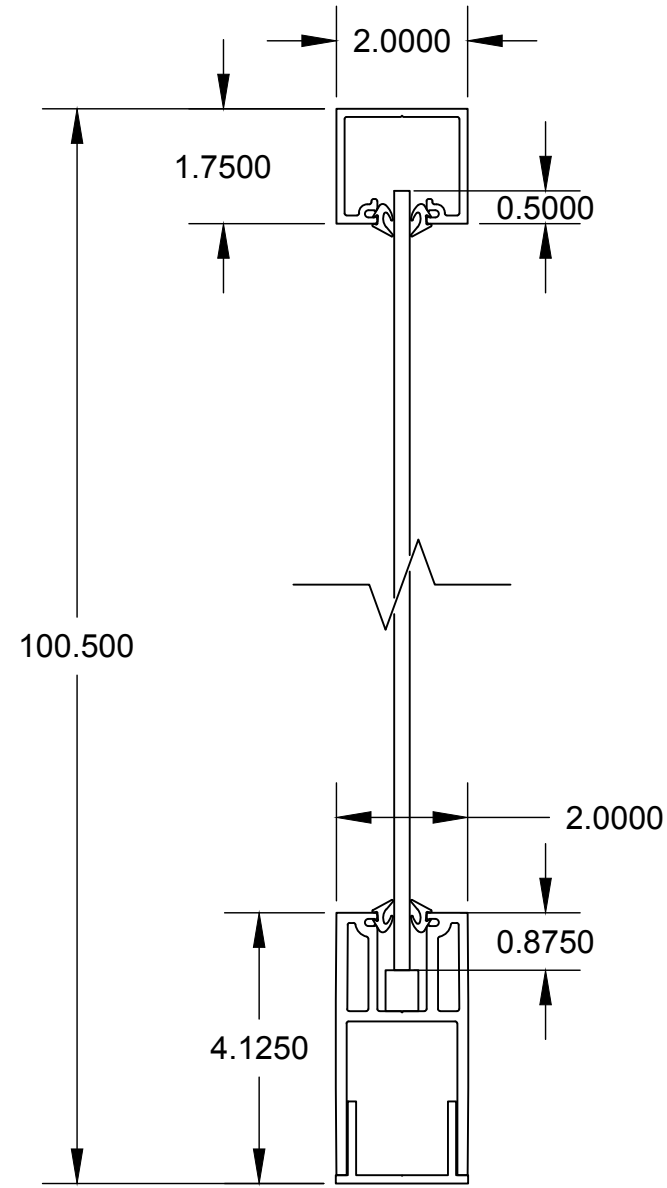
© Lumicor 2019 — All Rights Reserved. For more information, visit www.lumicor.com or call 1.888.LUMICOR (888.586.4267)

Solution
100.05

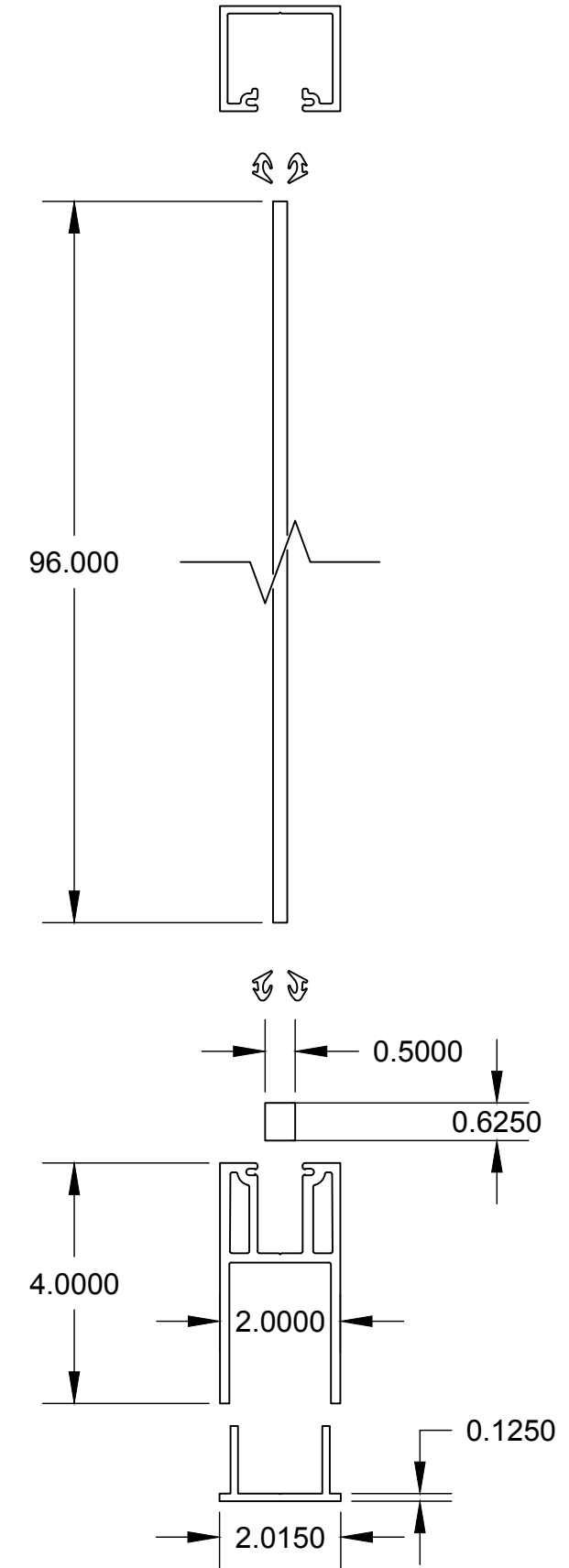
10/24/19

Page 2 of 5


ASSEMBLED



EXPLODED

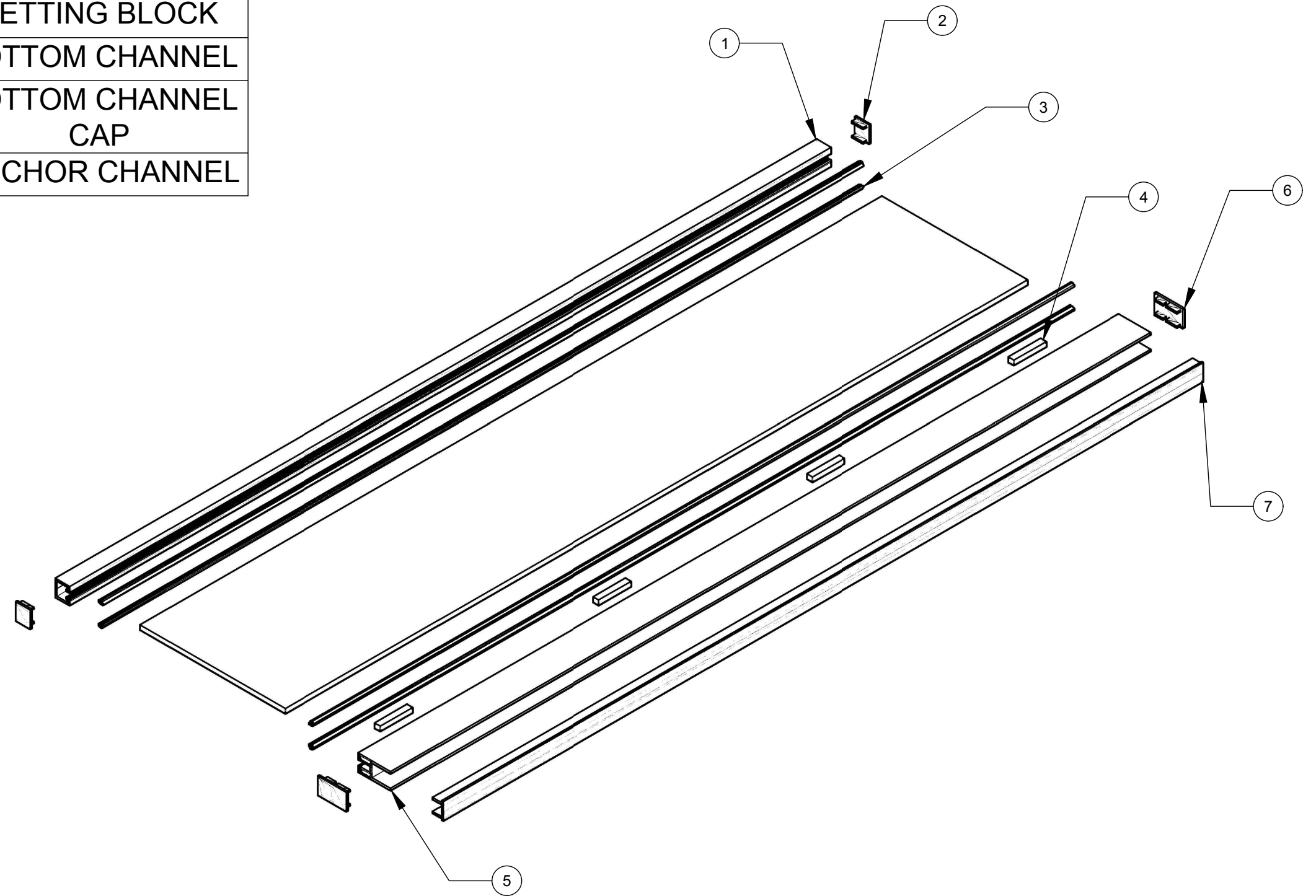


SECTION VIEW B

	FRAMED WALL 100.05 .472 Addon Section	Solution 100.05
	<small>These drawings have not been reviewed and approved by the architect and cannot ever be used for construction purposes. These drawings are for the exclusive use of Lumicor. Any use of these drawings by others will be at their own risk and lumicor will not be responsible for issues that may arise from their use.</small>	10/24/19
	<small>© Lumicor 2019 — All Rights Reserved. For more information, visit www.lumicor.com or call 1.888.LUMICOR (888.586.4267)</small>	Page 3 of 5

PARTS LIST

ITEM NUMBER	QTY	DESCRIPTION
1	1	C CHANNEL
2	1	C CHANNEL CAP
3	30 Ft	GASKET
4	4	SETTING BLOCK
5	1	BOTTOM CHANNEL
6	1	BOTTOM CHANNEL CAP
7	1	ANCHOR CHANNEL



FRAMED WALL 100.05 | .472 Addon Section

These drawings have not been reviewed and approved by the architect and cannot ever be used for construction purposes. These drawings are for the exclusive use of Lumicor. Any use of these drawings by others will be at their own risk and lumicor will not be responsible for issues that may arise from their use.

© Lumicor 2019 — All Rights Reserved. For more information, visit www.lumicor.com or call 1.888.LUMICOR (888.586.4267)

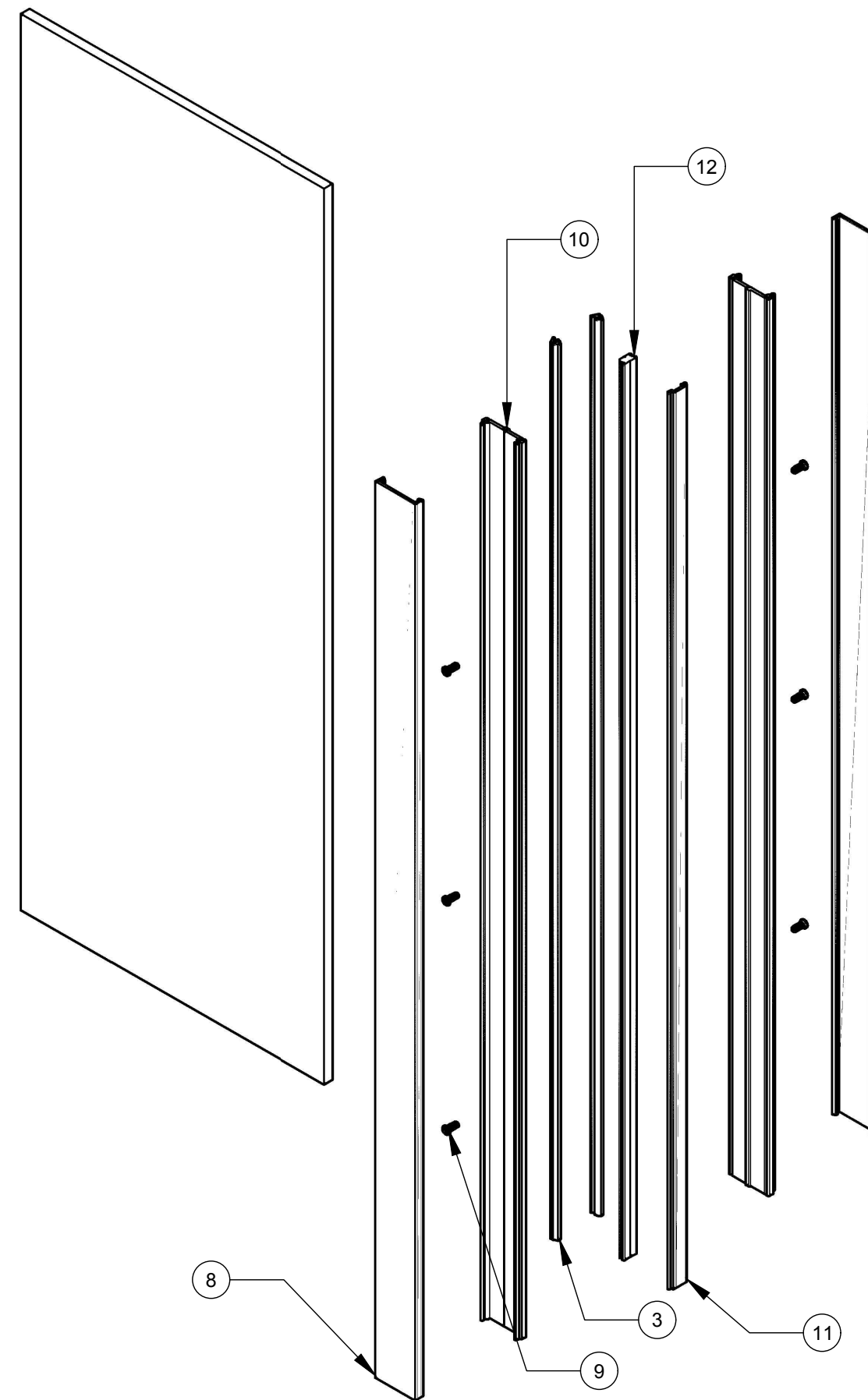
Solution
100.05

10/24/19

Page 4 of 5

PARTS LIST

ITEM NUMBER	QTY	DESCRIPTION
8	4	OUTSIDE "H" SMOOTH COVER SCREW
9	12	INSIDE "H" SMOOTH COVER SCREW
10	2	FILLER STRIP
11	2	VERTICAL UPRIGHT CENTER
12	4	VERTICAL UPRIGHT CENTER



FRAMED WALL 100.05 | .472 Addon Section

These drawings have not been reviewed and approved by the architect and cannot ever be used for construction purposes. These drawings are for the exclusive use of Lumicor. Any use of these drawings by others will be at their own risk and lumicor will not be responsible for issues that may arise from their use.

© Lumicor 2019 — All Rights Reserved. For more information, visit www.lumicor.com or call 1.888.LUMICOR (888.586.4267)

Solution
100.05

10/24/19

Page 5 of 5