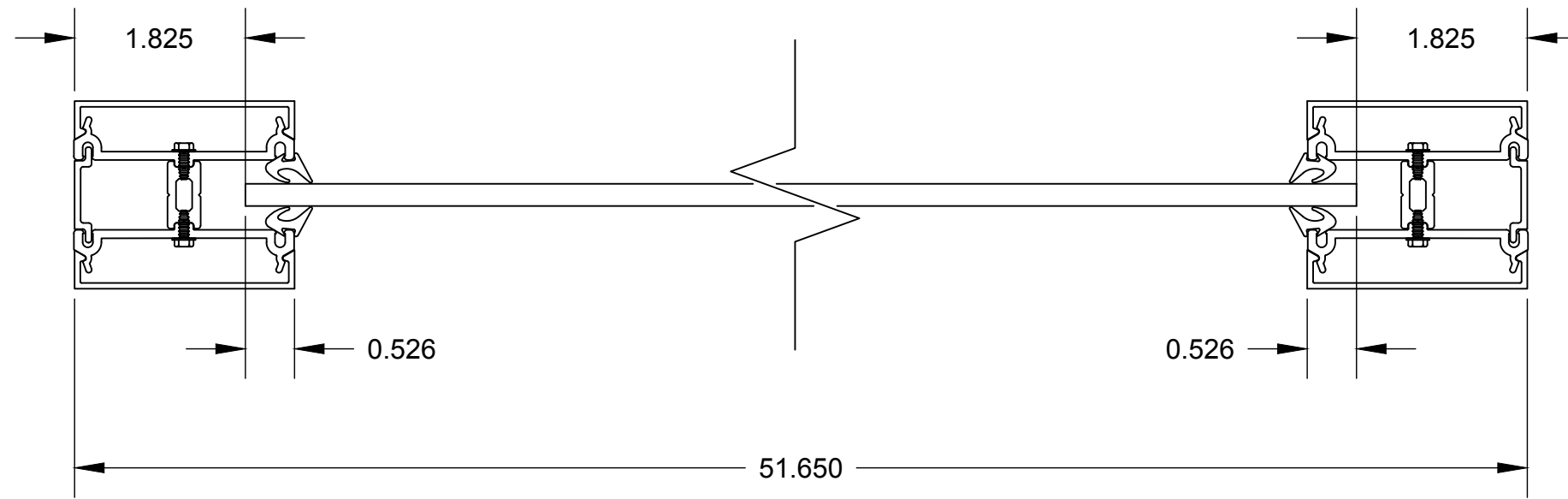
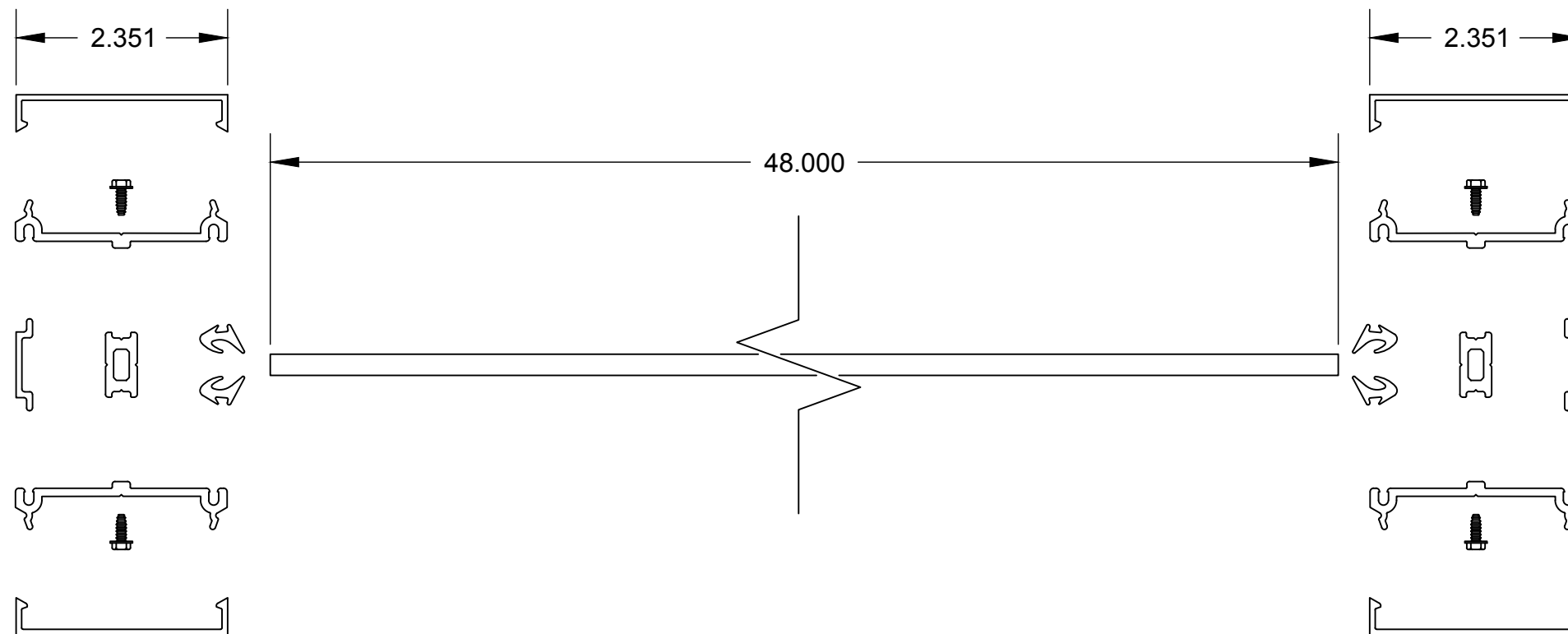


ASSEMBLED



EXPLODED



SECTION VIEW A



**FRAMED WALL**  
100.04 | .472 Single Section

These drawings have not been reviewed and approved by the architect and cannot ever be used for construction purposes. These drawings are for the exclusive use of Lumicor. Any use of these drawings by others will be at their own risk and lumicor will not be responsible for issues that may arise from their use.

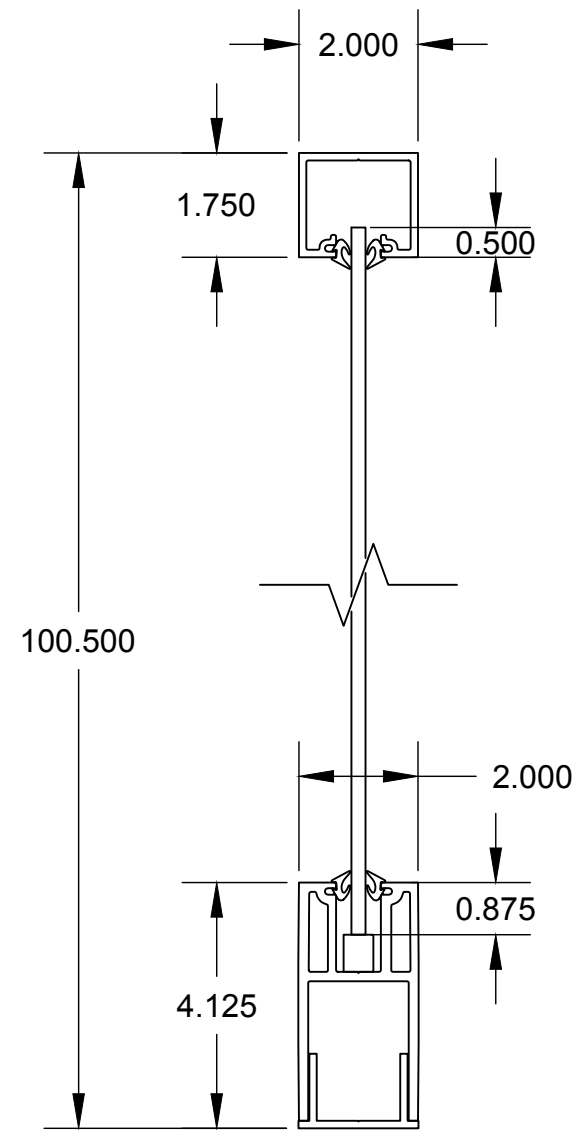
© Lumicor 2019 — All Rights Reserved. For more information, visit [www.lumicor.com](http://www.lumicor.com) or call 1.888.LUMICOR (888.586.4267)

Solution  
100.04

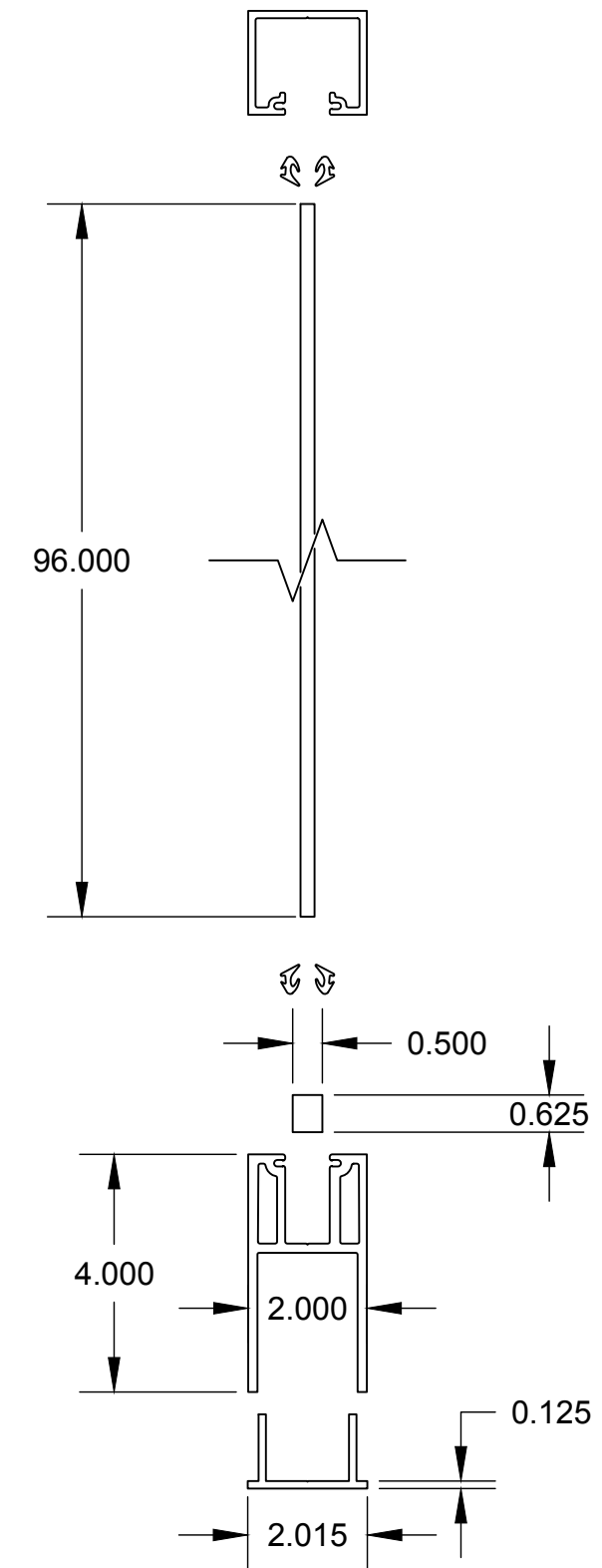
10/24/19

Page 2 of 5

ASSEMBLED



EXPLODED



SECTION VIEW

B



**FRAMED WALL**  
100.04 | .472 Single Section

These drawings have not been reviewed and approved by the architect and cannot ever be used for construction purposes. These drawings are for the exclusive use of Lumicor. Any use of these drawings by others will be at their own risk and lumicor will not be responsible for issues that may arise from their use.

© Lumicor 2019 — All Rights Reserved. For more information, visit [www.lumicor.com](http://www.lumicor.com) or call 1.888.LUMICOR (888.586.4267)

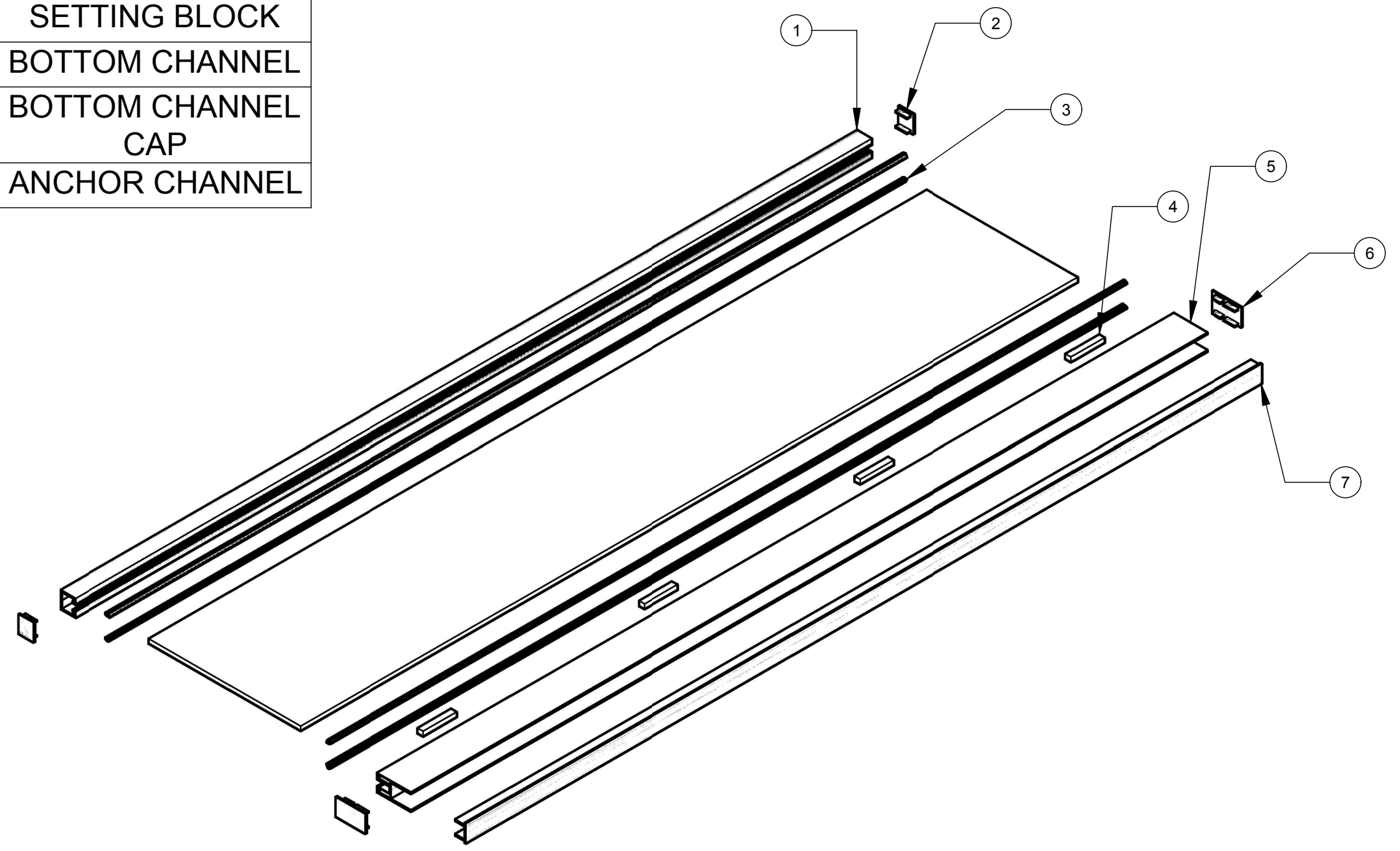
Solution  
100.04

10/24/19

Page 3 of 5

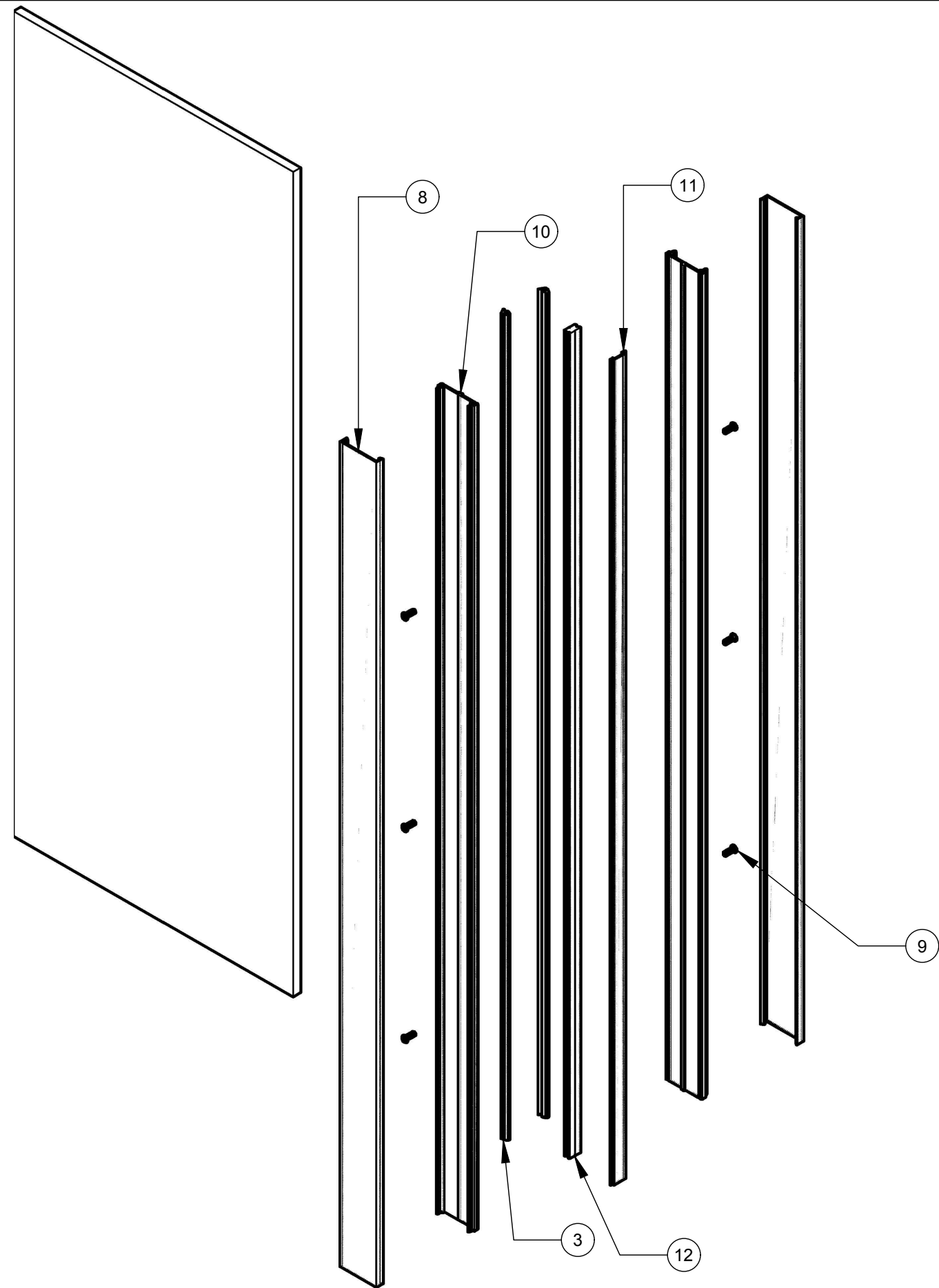
# PARTS LIST

ITEM NUMBER	QTY	DESCRIPTION
1	1	C CHANNEL
2	2	C CHANNEL CAP
3	30 Ft	GASKET
4	4	SETTING BLOCK
5	1	BOTTOM CHANNEL
6	2	BOTTOM CHANNEL CAP
7	1	ANCHOR CHANNEL



# PARTS LIST

ITEM NUMBER	QTY	DESCRIPTION
8	4	OUTSIDE "H" SMOOTH COVER
9	12	SCREW
10	2	INSIDE "H" SMOOTH COVER
11	2	FILLER STRIP
12	4	VERTICAL UPRIGHT CENTER



Lumicor.

## FRAMED WALL 100.04 | .472 Single Section

These drawings have not been reviewed and approved by the architect and cannot ever be used for construction purposes. These drawings are for the exclusive use of Lumicor. Any use of these drawings by others will be at their own risk and lumicor will not be responsible for issues that may arise from their use.

© Lumicor 2019 — All Rights Reserved. For more information, visit [www.lumicor.com](http://www.lumicor.com) or call 1.888.LUMICOR (888.586.4267)

Solution  
100.04

10/24/19

Page 5 of 5