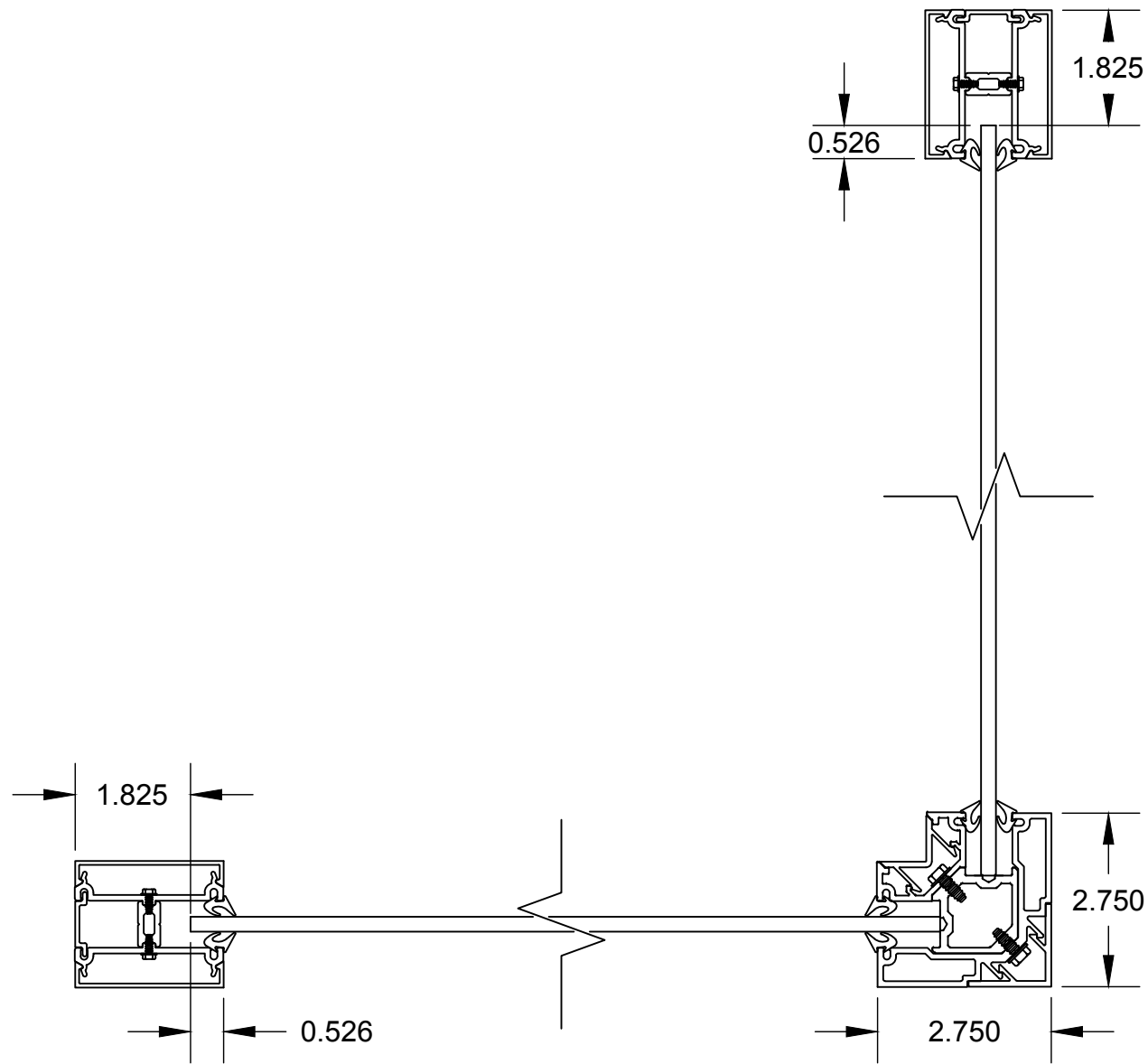
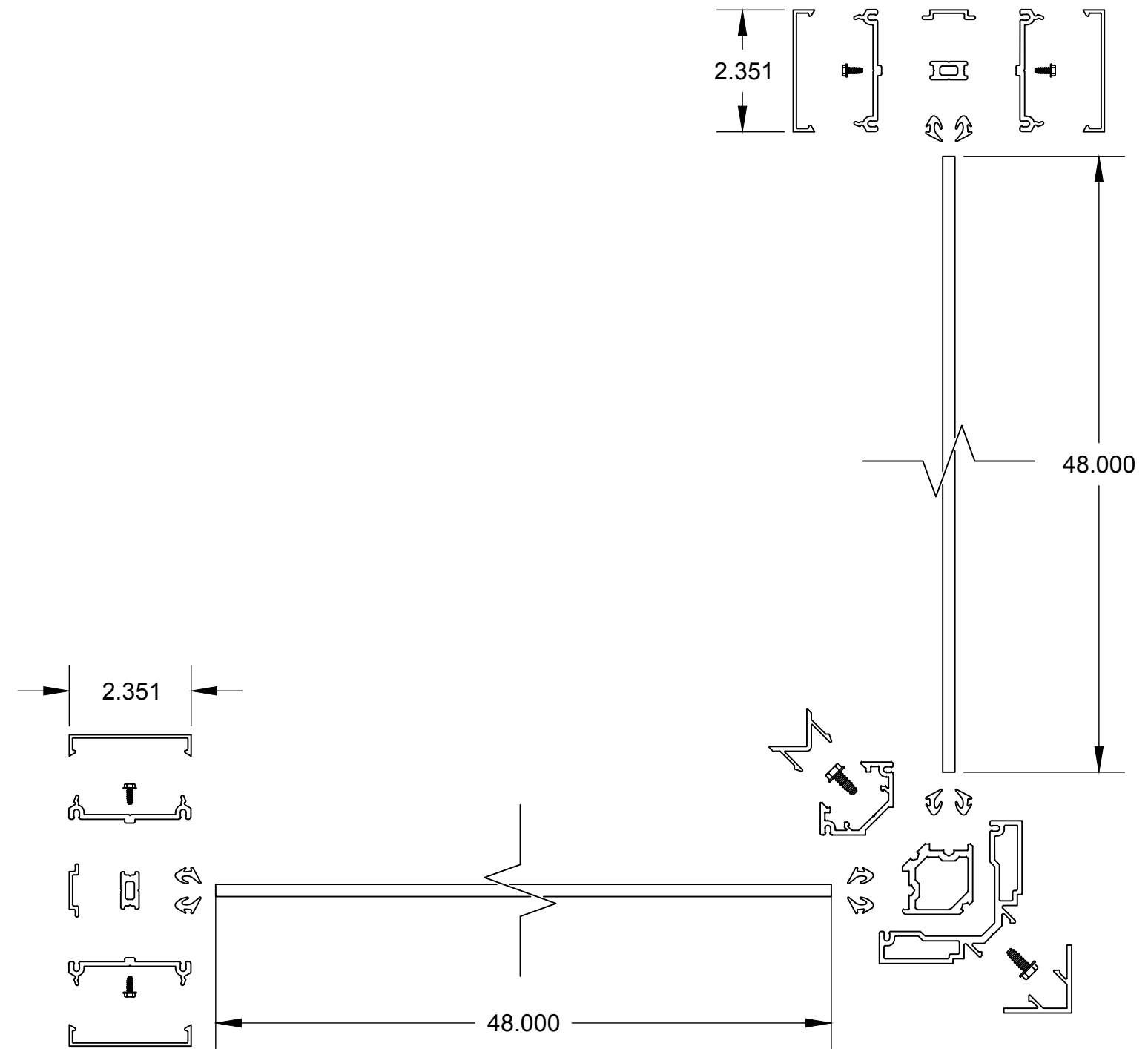
	<b>FRAMED WALL</b> 100.03   .354 Corner Section	Solution 100.03
	<small>These drawings have not been reviewed and approved by the architect and cannot ever be used for construction purposes. These drawings are for the exclusive use of Lumicor. Any use of these drawings by others will be at their own risk and lumicor will not be responsible for issues that may arise from their use.</small>	10/24/19
	<small>© Lumicor 2019 — All Rights Reserved. For more information, visit <a href="http://www.lumicor.com">www.lumicor.com</a> or call 1.888.LUMICOR (888.586.4267)</small>	Page 1 of 6


ASSEMBLED



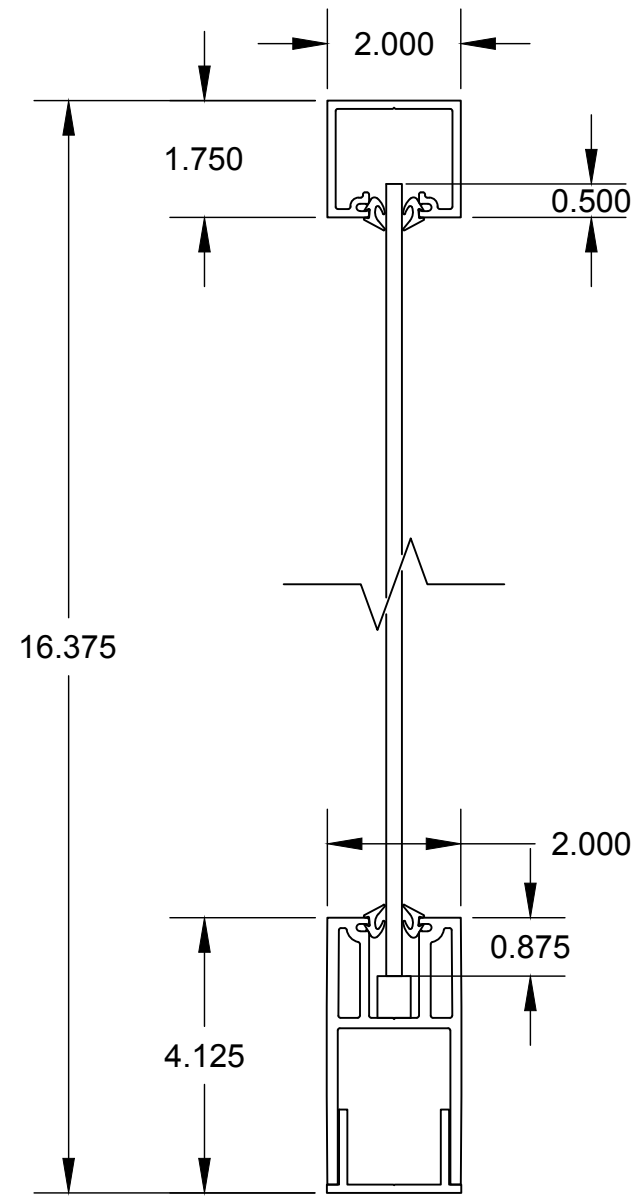
EXPLODED



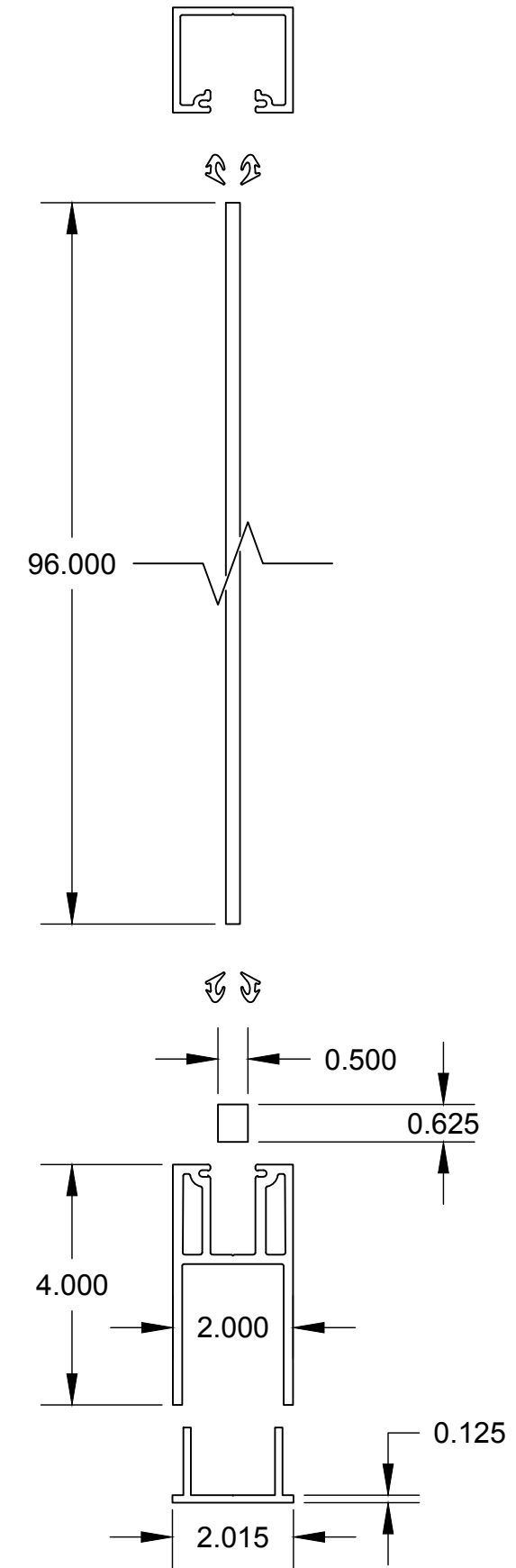
SECTION VIEW A

	<b>FRAMED WALL</b> 100.03   .354 Corner Section	Solution 100.03
	These drawings have not been reviewed and approved by the architect and cannot ever be used for construction purposes. These drawings are for the exclusive use of Lumicor. Any use of these drawings by others will be at their own risk and lumicor will not be responsible for issues that may arise from their use.	10/24/19
	© Lumicor 2019 — All Rights Reserved. For more information, visit <a href="http://www.lumicor.com">www.lumicor.com</a> or call 1.888.LUMICOR (888.586.4267)	Page 2 of 6


ASSEMBLED



EXPLODED

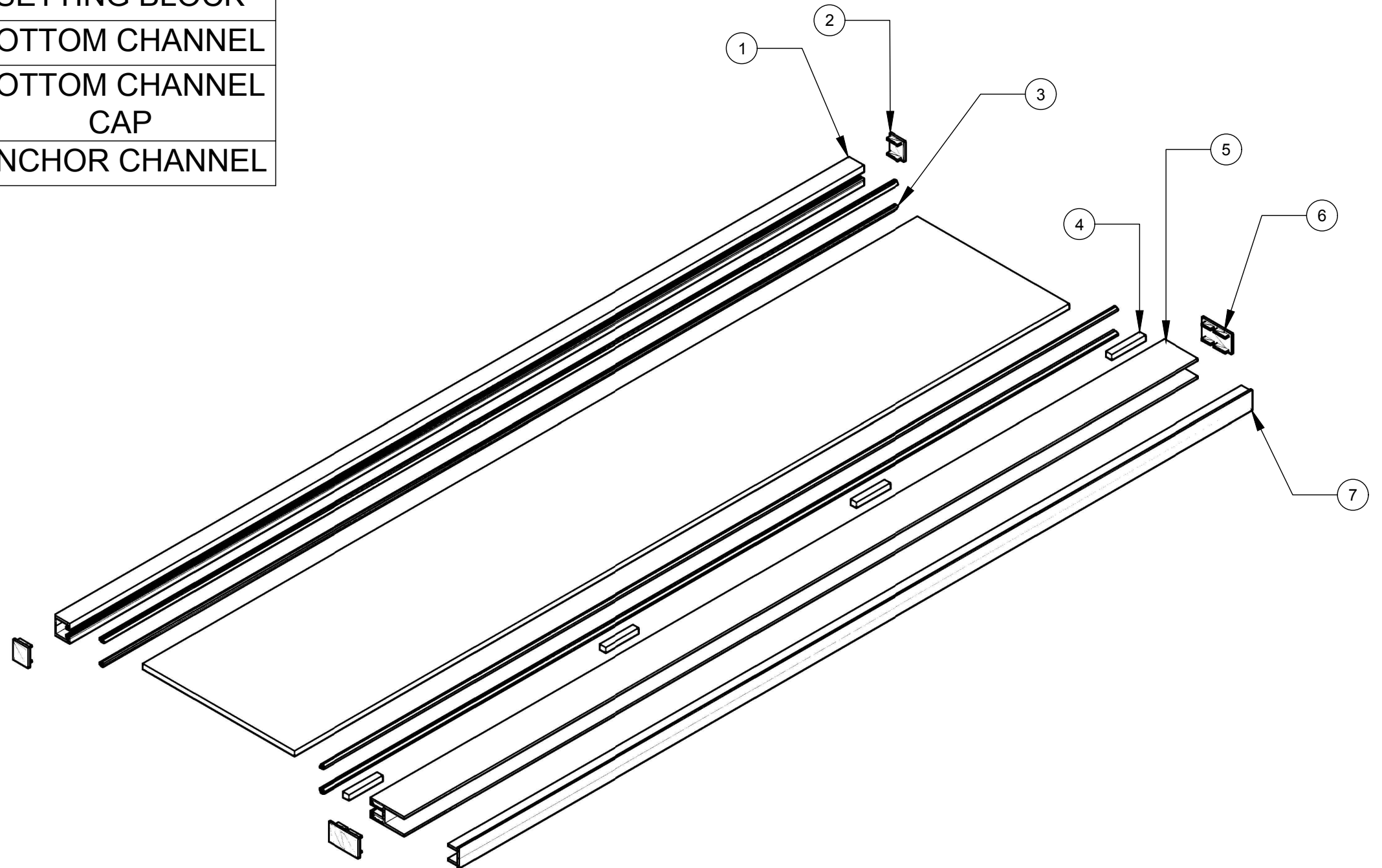


SECTION VIEW **B**

	<b>FRAMED WALL</b> 100.03   .354 Corner Section	Solution 100.03
	<small>These drawings have not been reviewed and approved by the architect and cannot ever be used for construction purposes. These drawings are for the exclusive use of Lumicor. Any use of these drawings by others will be at their own risk and lumicor will not be responsible for issues that may arise from their use.</small>	10/24/19
	<small>© Lumicor 2019 — All Rights Reserved. For more information, visit <a href="http://www.lumicor.com">www.lumicor.com</a> or call 1.888.LUMICOR (888.586.4267)</small>	Page 3 of 6

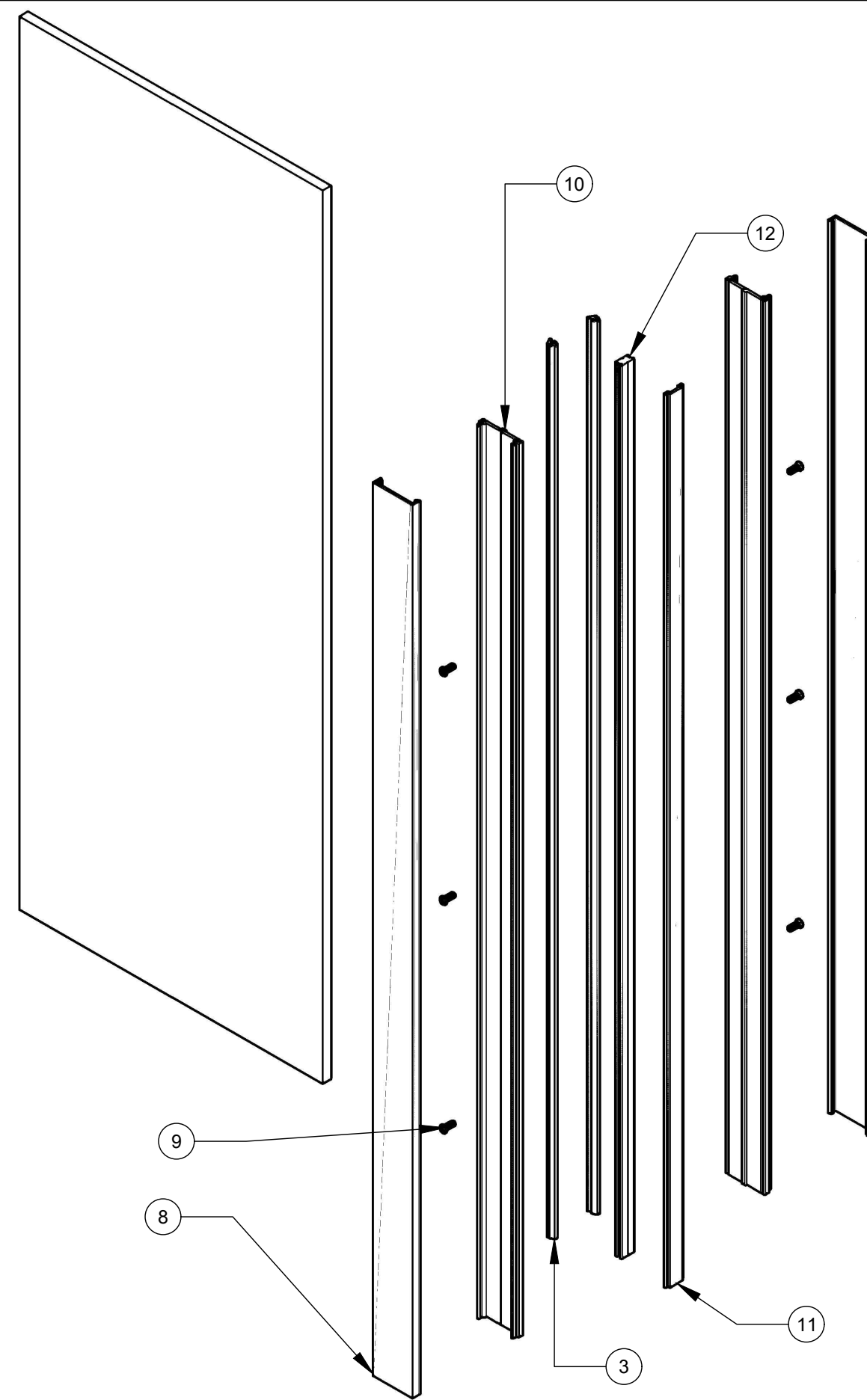
# PARTS LIST

ITEM NUMBER	QTY	DESCRIPTION
1	2	C CHANNEL
2	2	C CHANNEL CAP
3	50 Ft	GASKET
4	8	SETTING BLOCK
5	2	BOTTOM CHANNEL
6	2	BOTTOM CHANNEL CAP
7	2	ANCHOR CHANNEL



# PARTS LIST

ITEM NUMBER	QTY	DESCRIPTION
8	2	OUTSIDE "H" SMOOTH COVER SCREW
9	17	SCREW
10	2	INSIDE "H" SMOOTH COVER FILLER STRIP
11	2	FILLER STRIP
12	4	VERTICAL UPRIGHT CENTER



## FRAMED WALL 100.03 | .354 Corner Section

These drawings have not been reviewed and approved by the architect and cannot ever be used for construction purposes. These drawings are for the exclusive use of Lumicor. Any use of these drawings by others will be at their own risk and lumicor will not be responsible for issues that may arise from their use.

© Lumicor 2019 — All Rights Reserved. For more information, visit [www.lumicor.com](http://www.lumicor.com) or call 1.888.LUMICOR (888.586.4267)

Solution  
100.03

10/24/19

Page 5 of 6

