

INSTALLATION GUIDE ›

LUMILIGHT™

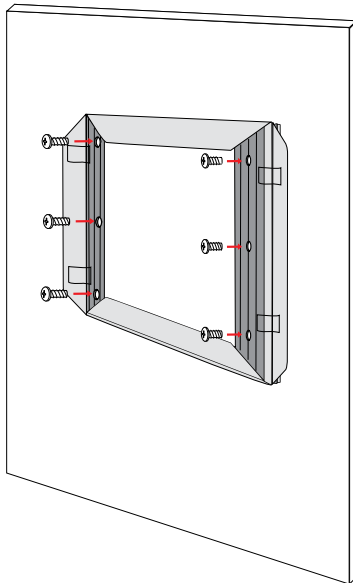
DESIGNER FRAME

INSTRUCTIONS

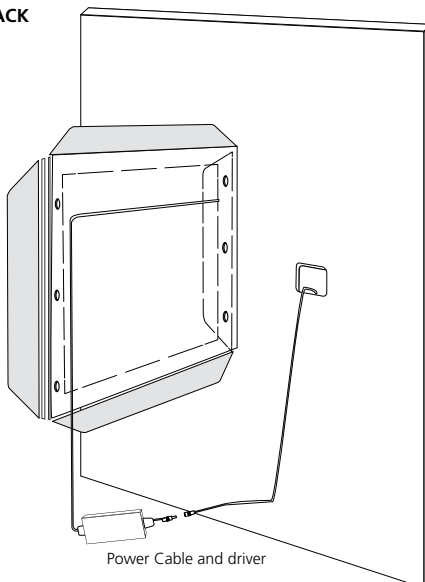
- Frame should be anchored into wood or metal backing to support the weight of the unit.
- The Lumilight designer frame comes pre-drilled with 11/16" diameter holes: 24" × 24" (4 holes), 36" × 36" (4 holes), 48" × 48" (6 holes). *Anchor screws not included.*

WALL MOUNTING WITH SCREWS

FRAME FRONT



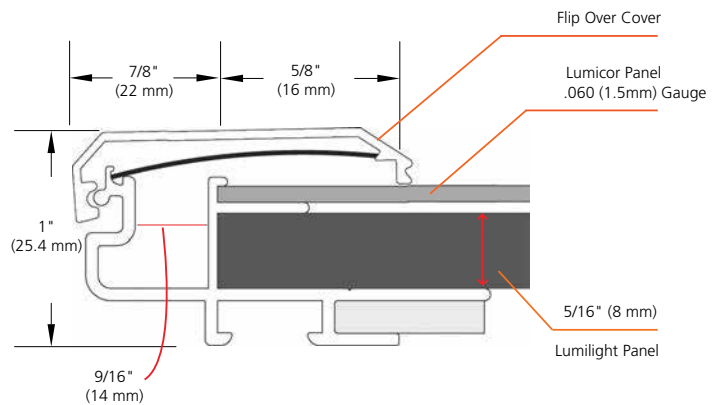
FRAME BACK



To install Lumicor panel in the designer frame:

- Frame front cover flips open.
- Place Lumicor decorative resin panel inside frame.
- Close cover to secure Lumicor panel in the designer frame.

SECTION DETAIL



STANDOFF

BEFORE INSTALLATION

To achieve acceptable light diffusion when using standoffs, Lumicor recommends leaving at least 1" (24mm) of space between the Lumilight and Lumicor panels. To ensure desired aesthetics, test the panel spacing in end use conditions before installation.

INSTRUCTIONS

Drill Pilot Holes

1. Hold the panel against the substrate at the desired location and mark the location of each hole on the substrate.
2. Remove panel and drill holes into the substrate where marked. For concrete substrates, tap the concrete anchors into the pilot holes.

Secure Lumilight To Wall

3. Unscrew and remove standoff caps.
4. Insert screw into the larger opening in the standoff barrel and through the smaller opening at the opposite end.
5. With the Lumilight panel back into position on substrate, place standoff barrel over the hole in the Lumilight and screw into the concrete anchor or wood substrate. For hollow walls, thread the toggle onto the screw and pinch the ends of the toggle together as you guide it into the pilot hole. Once the toggle opens on the other side of the wall, gently screw into place. Do not over tighten.

Install Lumilight Panel

6. Place the Lumicor panel in position, insert standoff cap through hole and turn until snug.

DIAGRAM 1

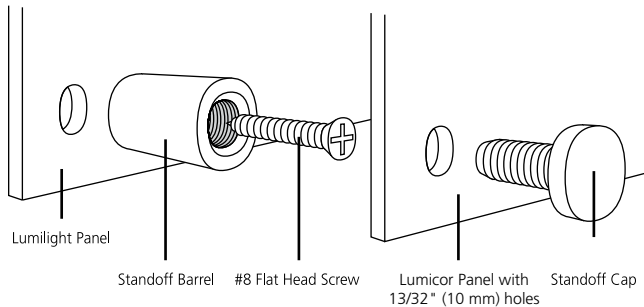
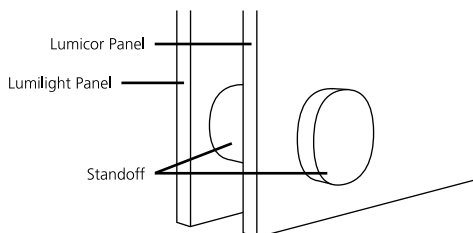
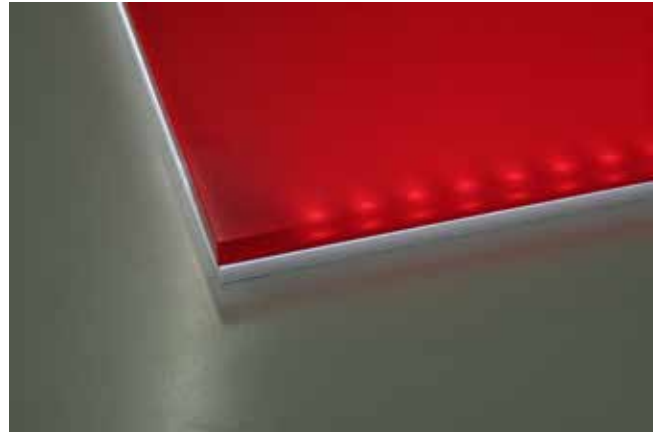


DIAGRAM 2



LUMILIGHT WITHOUT SPACING

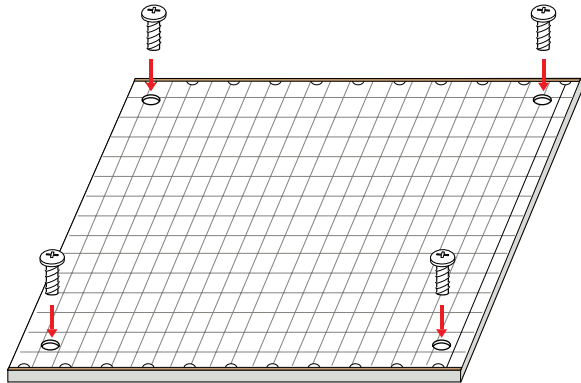


LUMILIGHT WITH SPACING

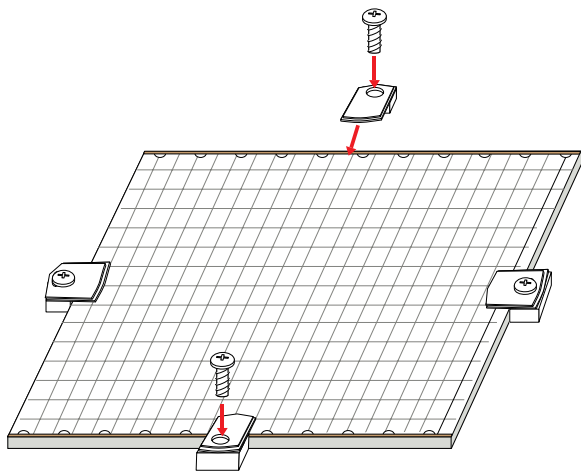


CUSTOM SURFACE MOUNTING OPTIONS

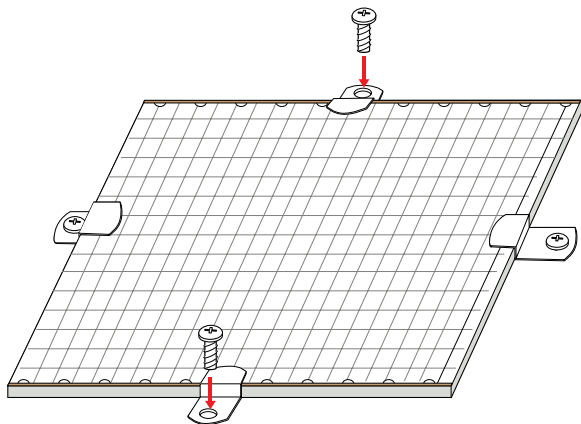
SCREW MOUNTING



MIRROR CLIPS



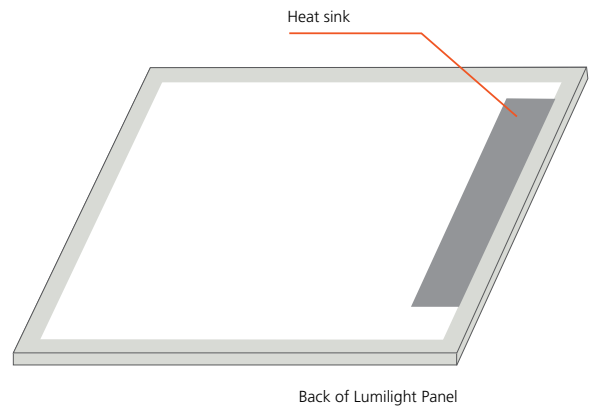
Z-CLIPS



HANDLING & SAFETY

INSTRUCTIONS

1. Do not over tighten fasteners, over tightening could result in cracking or damage of light panel.
2. Do not bend or twist light panel. Bending or twisting can damage LED light source.
3. Do not use adhesive to attach reflective backing sheet to any surface for mounting. It is not designed to support the weight of the LED light panel.
4. Do not glue graphics, laminate, light diffuser or any material to the light panel acrylic surface, as adhesives will change light diffusion properties and damage the material.
5. **Do not remove the heat sink (aluminum strip on back) from the light panel.**



Back of Lumilight Panel

6. Ensure the heat sink is installed in free air or in contact with a metal or thermally conductive surface for heat dissipation and to extend the LEDs lifespan. Unless otherwise specified, this product is designed for indoor use only.
7. Use only approved 12VDC power supply with this light panel. All other power supplies may damage LEDs and void warranty.

It is the responsibility of the purchaser and/or installer to check local electrical code requirements prior to installing electrical components.