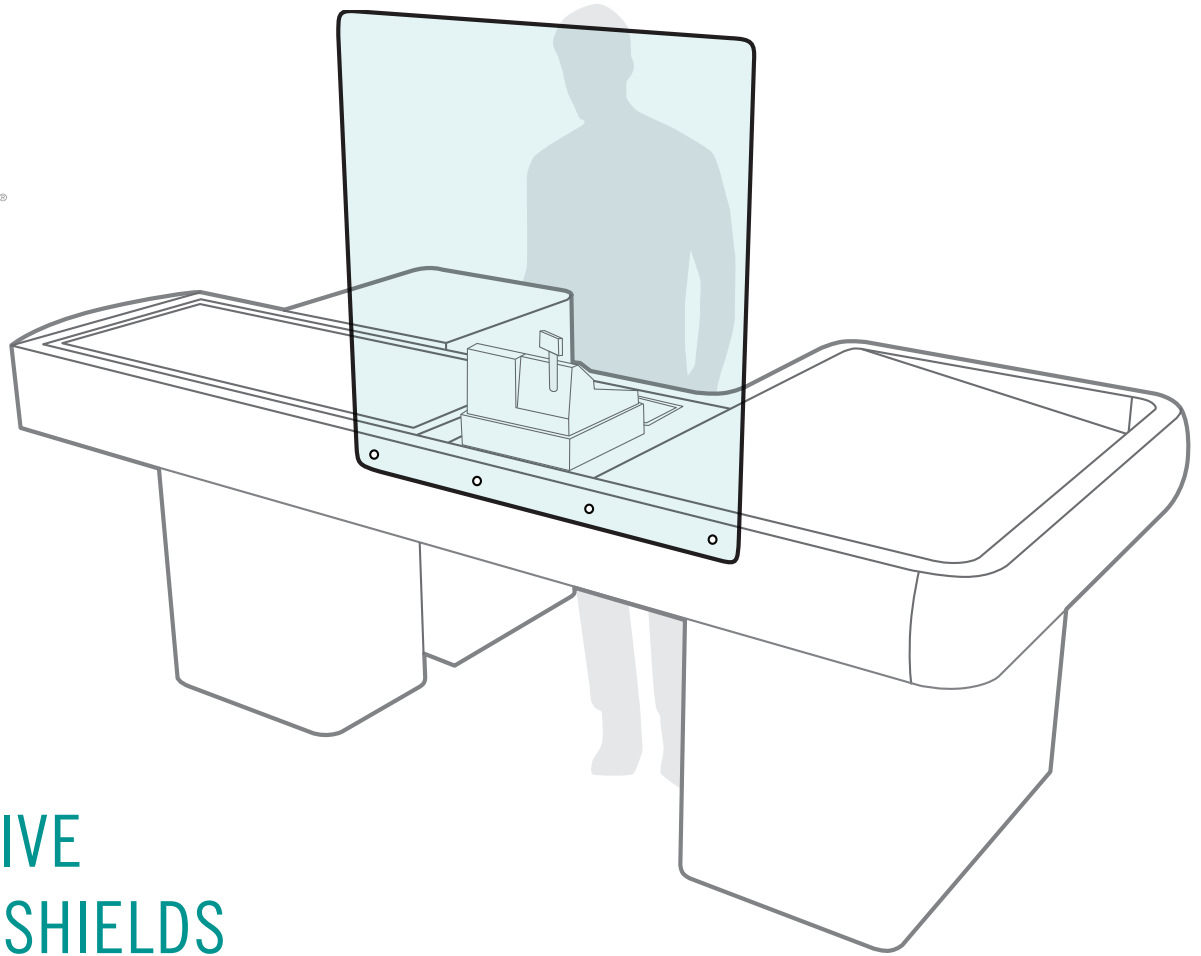




Lumicor.



## PROTECTIVE ACRYLIC SHIELDS

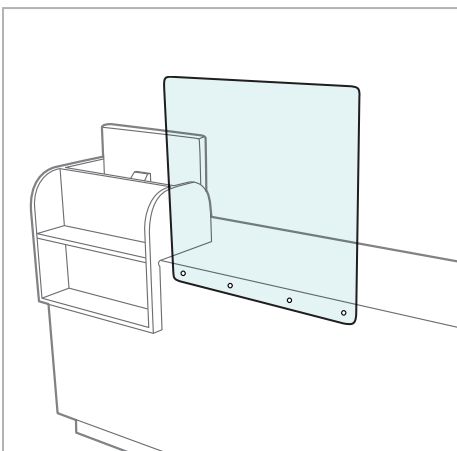
During these unprecedented times we understand that your primary concern is to protect your employees, your customers, and the communities you serve.

To help support healthy social distancing practices amid the shortages of protective gear within the retail market, Lumicor is putting Protective Acrylic Shields into production to meet the growing safety needs of the retail industry.

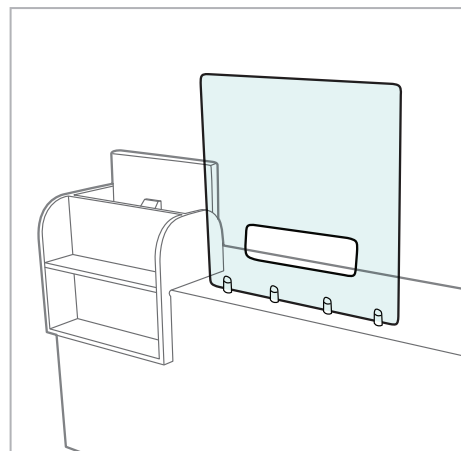
With this in mind, we have developed three standard models with corresponding mounting hardware that offer physical separation while providing ultimate clarity at point of sale locations. Each Protective Acrylic Shield is manufactured in the USA using 50% recycled content and is ready to ship in days.

We offer discount pricing for volume, and custom options are available upon request.

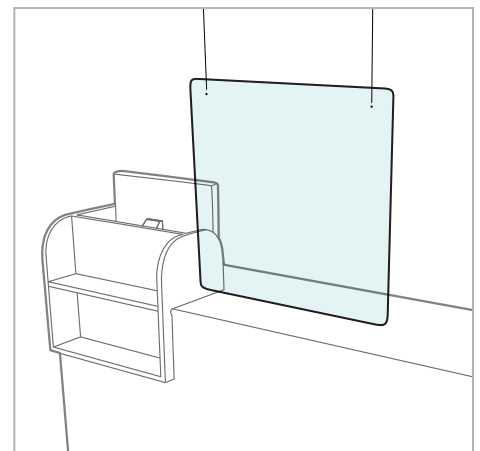
### AVAILABLE MODELS



FRONT MOUNTED SHIELD  
*Optional Pass Through Available*

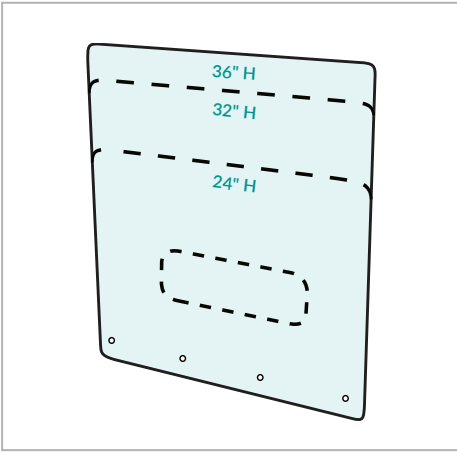


SURFACE MOUNTED SHIELD  
*Optional Pass Through Available*



CEILING MOUNTED SHIELD

## SIZING GUIDE



### FRONT MOUNTED SHIELD

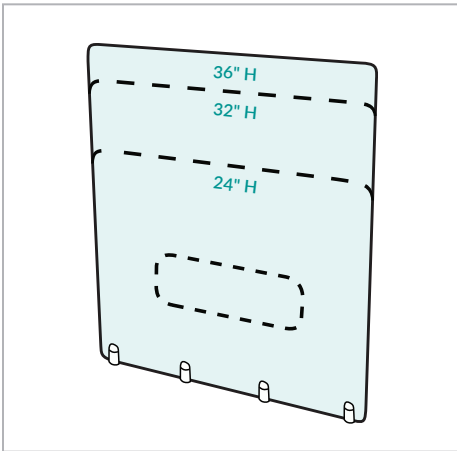
SMALL | 24"H x 36"W x ¼"D

MEDIUM | 32"H x 36"W x ¼"D

LARGE | 36"H x 36"W x ¼"D

*Clear Gloss Finish*

*Optional 6" x 18" Pass Through Available*



### SURFACE MOUNTED SHIELD

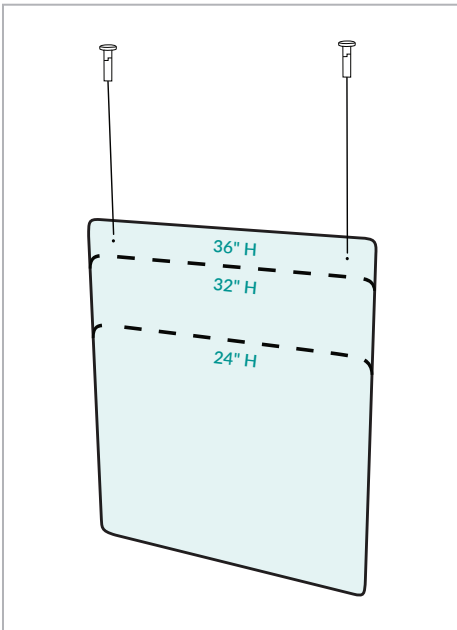
SMALL | 24"H x 36"W x ¼"D

MEDIUM | 32"H x 36"W x ¼"D

LARGE | 36"H x 36"W x ¼"D

*Clear Gloss Finish*

*Optional 6" x 18" Pass Through Available*



### CEILING MOUNTED SHIELD

SMALL | 24"H x 36"W x ¼"D

MEDIUM | 32"H x 36"W x ¼"D

LARGE | 36"H x 36"W x ¼"D

*Clear Gloss Finish*

## INQUIRIES & ORDERS

To place an order or to learn more about Protective Acrylic Shields or any of the products and services offered by Lumicor, please reach out to your local product specialist or visit our website, [Lumicor.com](http://Lumicor.com).

