

# INSTALLATION GUIDE: KUVIO WALL TILES

- PRE-INSTALLATION..... 02**
  - Back Painting.....02
  - Pattern Planning.....02
  - TV Mounts.....02
  
- ACCESSORIES INSTALLATION..... 03**
  - Trim.....03
  - Outlet Boxes.....03
  
- CUTTING..... 04**
  - Simple 90° Cuts.....04
  - Creating a Custom Cutting Template.....04
  - Complex Cuts.....04
  
- AVAILABLE CUTTING TEMPLATES..... 05**
  
- TILE INSTALLATION..... 06**
  - Peel and Stick Tape Method.....06
  - Troweled Adhesive Method.....07
  - Additional Resources.....07

## PRE-INSTALLATION

*NOTE: Each Kuvio tile is unique, and any perceived imperfections are characteristics inherent to the construction. Not all edges are perfectly straight, and some gapping ( $1/16$ -inch) between parts will be present. Most will not be visible when viewed outside of a 3-foot viewing distance.*

### BACK PAINTING

*SUGGESTED MATERIALS: Standard painting materials & tools*

- To limit visible gaps at seams in wall-to-wall installations, we suggest painting the wall a matching tone prior to installing the Kuvio parts.

### PATTERN PLANNING

*SUGGESTED MATERIALS: Ladder, tape measure, pencil, level, & chalk line*

- Open and inspect your order immediately upon arrival for any damage caused during shipping.
- Lay your tiles out on the floor to plan the installation on the wall, noting the center of the wall.
- Place the first tile on the centerline, making sure to align the top and bottom of the tile to ensure the pattern is straight and symmetrical.
- Next, dry fit the second tile adjacent to the first. Continue to dry fit tiles to establish the pattern's width and identify the edges of the repeat.
- Transfer the measurement and guide spacing from the floor to the wall with a pencil and level.
- Mark the vertical centerline and the horizontal centerline on the wall with the chalk line. Work away from the centerlines to identify where cuts or small parts will fall.

### TV MOUNTS

*SUGGESTED MATERIALS: 2-inch thick piece of lumber (to be used as a spacer) and standard tools typically associated for installing TV mounts onto a wall*

- Each Kuvio tile, regardless of its shape, is a maximum of  $1\frac{1}{2}$  inches thick at its deepest point. To accommodate for a TV mount, use a 2-inch thick piece of lumber as a spacer to provide the necessary clearance for the TV's mounting bracket and allow the TV to comfortably fit on top of the surrounding Kuvio tiles.

## ACCESSORIES INSTALLATION

### TRIM

*SUGGESTED MATERIALS: Ladder, 1/8-inch square notched trowel, preferred FRP adhesive, a clean rag, & a chop saw for cutting the aluminum trim*

- Measure wall area to receive trim.
- Measure corresponding length on trim and use a chop saw to cut to the desired length.
- Apply the adhesive both to the wall and to the back of the trim to ensure a strong hold.
- Place the trim on the wall and apply pressure to ensure it is firmly seated.

### OUTLET BOXES

*SUGGESTED MATERIALS: Screwdriver, pencil, cardboard template, utility knife, 1/8-inch square notched trowel, preferred FRP adhesive, clean rag, painters tape, level, 2½-inch long mounting screws, color matched caulk, plastic 1½ inch outlet extension ring, and the plunge cutting method or tool of your choice (dremmel/rotozip, multi-tool, handheld router, oscillating saw, angle grinder, etc.)*

*NOTE: Lumicor offers single, double, triple, and quadruple outlet box extensions in any Kuvio finish. Quantity, size, grain direction, and preferred finish should be specified during the request for quote process.*

- Apply the adhesive to the outlet box extension and place it onto the wall prior to installing the surrounding Kuvio tiles.
- Fit the outlet box extension around the outlet opening and press it firmly into place.
- Once secured to the wall, slip the plastic outlet extension ring behind the outlet. Since each Kuvio tile is 1½ inches thick at its deepest point, we recommend using a 1½ inch outlet extension ring to accommodate for the tile's depth.
- Use a mounting screw at least 2½ inches long to secure the outlet to its corresponding gang box.
- The outlet box is now ready to receive a faceplate. Use the outlet box position to begin defining the necessary dimensions for the wall's surrounding tiles.
- Create a cardboard template of the shape. See "Creating a Cutting Template" for more information.
- Position the cardboard template per the wall pattern and mark the edges where the tile and outlet box will intersect.
- Mark the center of the template with a line to be used as a guide and continue to define the outlet dimensions on the cardboard template to establish where you'll need to make your cuts.
- Once you've established where to trim the cardboard template, make the necessary cuts and test fit the template to the tile's desired location.
- Cut the Kuvio tile to size and sand as necessary to ensure a snug fit against the outlet box. Dry fit the tile one more time.
- Apply the adhesive to the tile, leaving a 1-inch margin around the perimeter, and place it onto the wall.
- Continue this process until all outlet boxes and their surrounding tiles are installed on the wall.

# CUTTING

## SIMPLE 90° CUTS

*SUGGESTED MATERIALS: Kuvio cutting jig, painter's tape, table saw with a fresh saw blade, and a pencil*

- Cutting templates are available for an additional cost. These can be used as jigs to help align a non-square edge along a saw's guide.
- Use a fresh saw blade and secure the Kuvio tile to the cutting jig with painter's masking tape to minimize any potential movement while the tile is being cut and to get a clean cutline.
- When cutting Kuvio tiles, always cut slowly from top/front to the back/bottom. This will preserve the integrity of the tiles' finish. Slowly move the saw through the part to prevent the finish from chipping during cutting. Remove tape after cutting.

## CREATING A CUSTOM CUTTING TEMPLATE

*SUGGESTED MATERIALS: Kuvio cardboard product box, utility knife, a straightedge & pencil*

- Trace the shape onto the Kuvio product box and cut.
- Fit the cardboard template into the tile's desired location on the wall and mark the template with a line to establish where it needs to be trimmed.
- Cut the template to the appropriate size and check your cut to ensure its accuracy on the wall.
- Place the trimmed cardboard template on the back of the tile and mark the tile with a cutline.

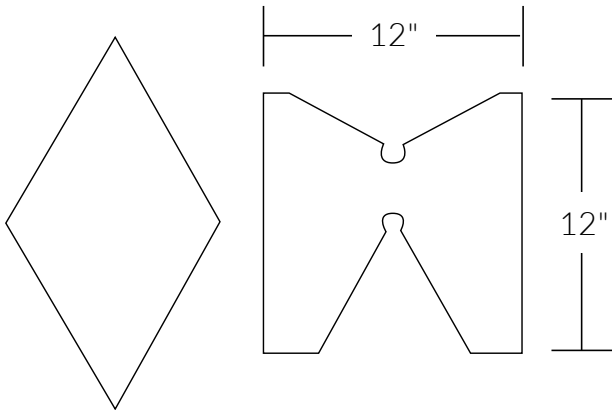
## COMPLEX CUTS

*SUGGESTED MATERIALS: Custom cardboard template, painter's tape, straightedge, sandpaper, hot glue gun, plywood board, wood blocks, and cutting method and tools of your choice (dremmel, rotozip, handheld router, multi-tool, oscillating saw angle grinder, etc.)*

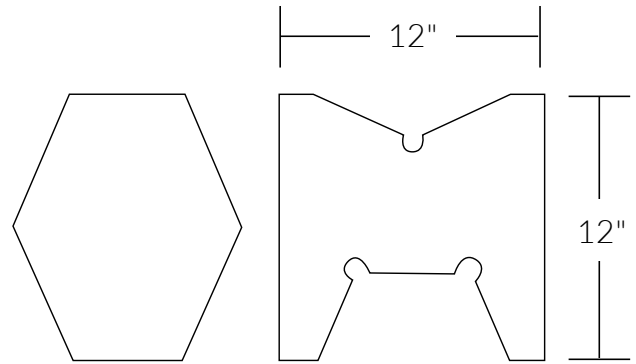
- Transfer the cutline from the back of the tile to its front.
  - » Approximate where the line will be on the tile's face and apply tape. Mark the edges of the tile with a continuation of the initial line, so they are visible from the tile's face.
  - » Use a straightedge to connect the marks to establish the cutline.
- Align the cutline with the path of the saw blade and secure the tile temporarily into place.
- Slowly move the saw blade through the tile to minimize any micro-chipping of the tile's finish.
- Clean up your cut part by sanding the tile down to the correct dimensions.
- Once the tile is cut to size, apply adhesive to the back of the tile and install it on the wall.

# AVAILABLE CUTTING TEMPLATES

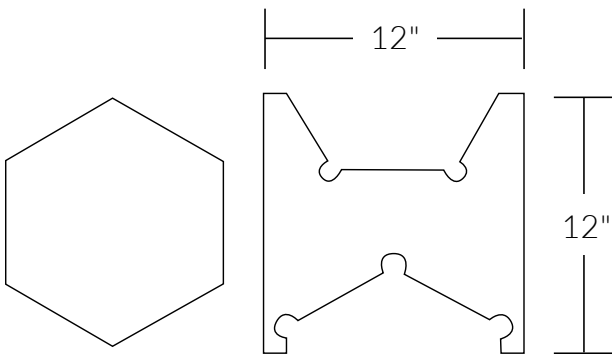
## POINT CUTTING TEMPLATE



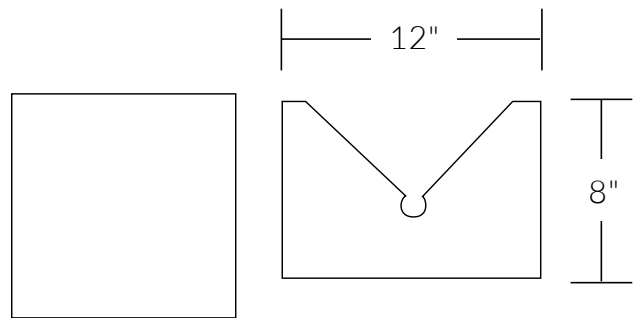
## SLIDE CUTTING TEMPLATE



## ROLL CUTTING TEMPLATE



## PEAK/DIVE CUTTING TEMPLATE



## TILE INSTALLATION

*NOTE: For efficiency, install as many whole tiles and simple cut tiles as possible before installing the more intricate cuts, such as around outlet boxes, which can require more time and precision to execute.*

### PEEL AND STICK TAPE METHOD

*SUGGESTED MATERIALS: Ladder, scissors, 3M Double Coated Polyethylene Foam Tape (available for purchase from Lumicor), and a chop saw (for cutting trim, if specified)*

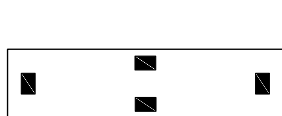
- For wall application, painted drywall with a flat, matte, eggshell, or satin finish will yield best results.
- Make sure the back of the Kuvio tile and wall are clean and free of dust. Wipe down with a damp cloth if needed and let dry.
- Using scissors, cut 1½-inch long strips of tape from the roll. Each full tile will require four strips of tape placed according to the full tile tape placement diagram below.

*NOTE: For half tiles, cut ¾-inch long strips of tape from the roll. Place tape according to the half tile tape placement diagram below.*

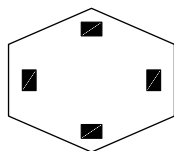
- Place the sticky side of tape strips on the back of a tile in the designated locations. With the tape liner still on, firmly press the tape strips onto the back of the tile in a rubbing motion.
- Once the correct quantity of tape strips are adhered to the back of the tile, remove the tape liners.
- Place the tile on the wall, making sure to position the tile according to the chalk lines established during pattern planning in the pre-installation instructions. Press firmly on the tile for 5-10 seconds.
- Repeat tape application and wall adhesion for all tiles in the specified pattern, making sure the edges of adjacent tiles are touching.

*NOTE: Target areas on the wall where you can use the edges of two already installed tiles as a guide for placing the next. This strategy will provide you with the most flexibility during installation and minimize tile pinch that can sometimes occur when attempting to install a tile on the wall between three existing tiles.*

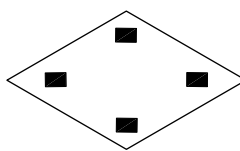
#### FULL TILE TAPE PLACEMENT DIAGRAMS



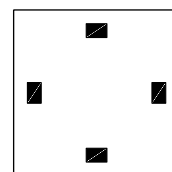
Curve &amp; Twist



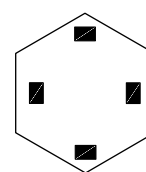
Slide



Point

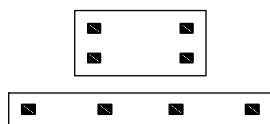


Dive &amp; Peak

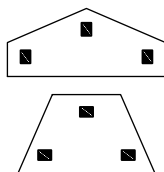


Roll

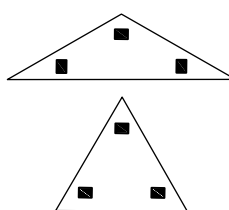
#### HALF TILE TAPE PLACEMENT DIAGRAMS



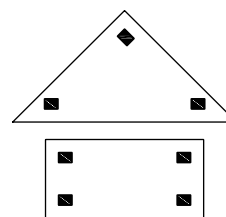
Curve &amp; Twist



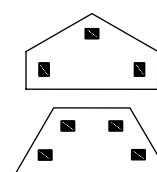
Slide



Point



Dive &amp; Peak



Roll

## TROWELED ADHESIVE METHOD

*SUGGESTED MATERIALS: Ladder, 1/8-inch square notched trowel, preferred FRP adhesive, a clean rag, finishing nails, hammer, and a chop saw (for cutting trim, if specified)*

*NOTE: For efficiency, install as many full tiles and simple cut tiles before moving on to the more intricate cuts, like cutting around outlet boxes, which can require more time and precision to execute.*

- Use a tested and approved adhesive: Titebond GREENchoice Fast Grab FRP.
- Using the 1/8-inch square notched trowel, apply the approved adhesive directly to the Kuvio tile, leaving a 1-inch margin around the perimeter, and place it onto the wall.
- Place the first Kuvio tile firmly on the wall, making sure to position the tile in accordance with the chalk lines established during the pattern planning process.

- Continue to apply tiles to the wall in the specified pattern making sure the edges of adjacent tiles touch.

*NOTE: Target areas on the wall where you can use the edges of two already installed tiles as a guide for placing the next. This strategy will provide you with the most flexibility during installation and will minimize tile pinch that can sometimes occur when attempting to install a tile on the wall between three existing tiles.*

- Depending on the environmental conditions of your space, the adhesive's tack time may vary. If tiles are slipping, finishing nails can be tacked into the wall just below the Kuvio tile to support it temporarily while the adhesive has a chance to securely bond the tile to the wall. Once bonded, remove the supporting nails and proceed with the installation.
- Continue this process until all outlet boxes and their surrounding tiles are installed on the wall.

## ADDITIONAL RESOURCES

Instructional videos can be found online at [www.lumicor.com](http://www.lumicor.com).

*Disclaimer: We believe this information to be reliable and offer the information in good faith without guarantee, as conditions and methods of use are beyond our control. We recommend prospective buyers perform their own testing to determine product suitability for all purposes before adopting Lumicor on a commercial scale. In no case is Lumicor liable for direct, consequential, economic or other damages. Lumicor disclaims all other warranties, expressed or implied, including the warranty of merchantability and fitness for a particular purpose.*