

## FIN CEILING FEATURE

500.07 | Swell Right | Overall Dimensions

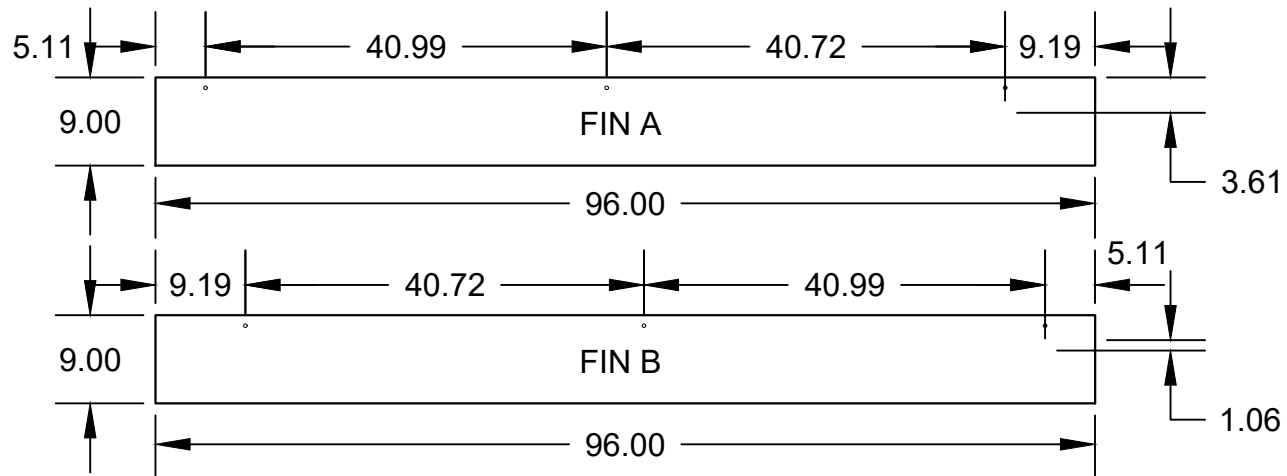
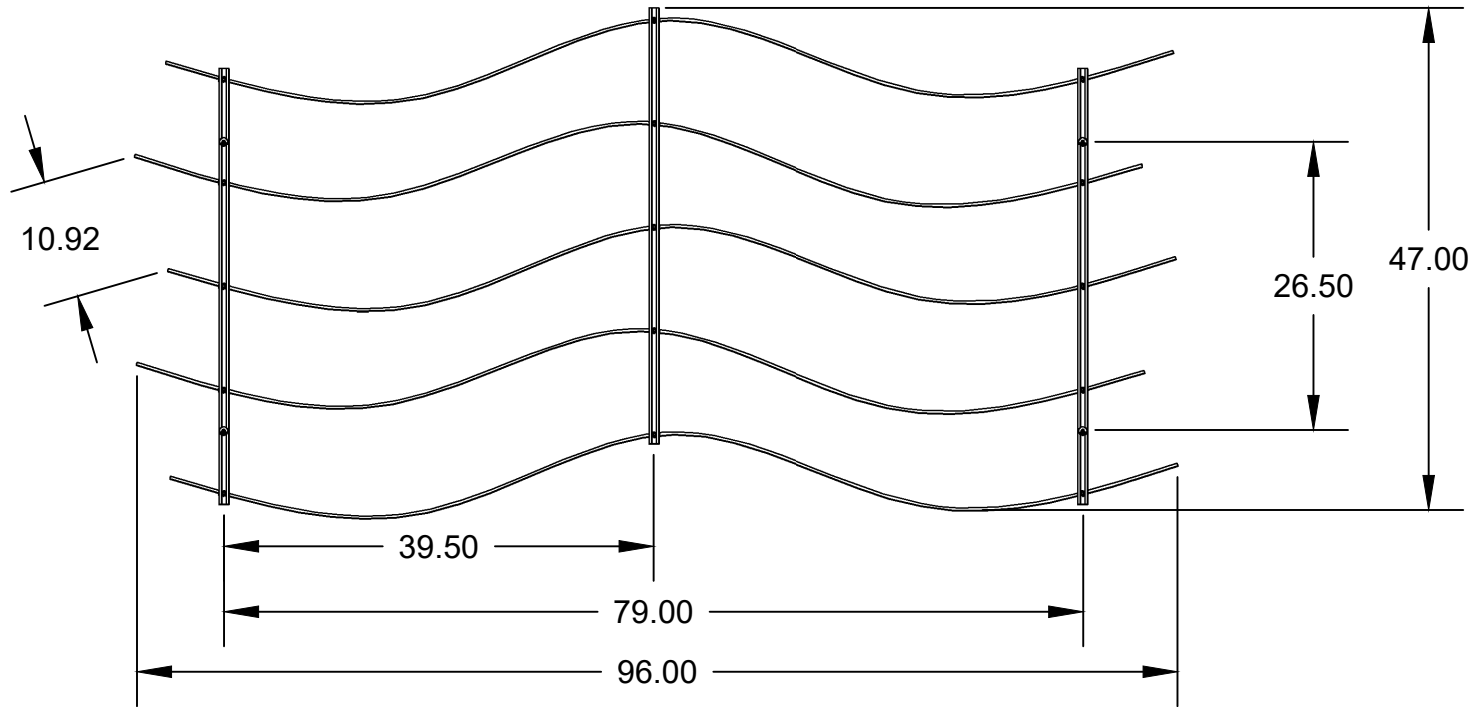
These drawings have not been reviewed and approved by the architect and cannot ever be used for construction purposes. These drawings are for the exclusive use of Lumicor. Any use of these drawings by others will be at their own risk and lumicor will not be responsible for issues that may arise from their use.

© Lumicor 2022— All Rights Reserved. For more information, visit [www.lumicor.com](http://www.lumicor.com) or call 1.888.LUMICOR (888.586.4267)

Solution  
500.07

3/3/22

Page 1 of 4



## FIN CEILING FEATURE

500.07 | Swell Right | Component Dimensions

These drawings have not been reviewed and approved by the architect and cannot ever be used for construction purposes. These drawings are for the exclusive use of Lumicor. Any use of these drawings by others will be at their own risk and lumicor will not be responsible for issues that may arise from their use.

© Lumicor 2022 — All Rights Reserved. For more information, visit [www.lumicor.com](http://www.lumicor.com) or call 1.888.LUMICOR (888.586.4267)

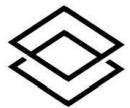
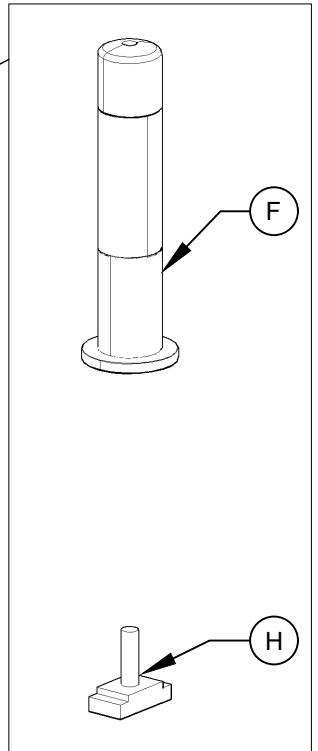
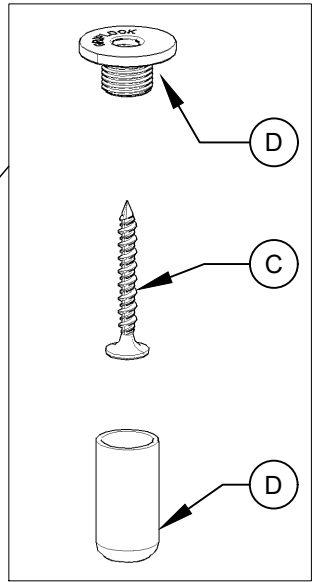
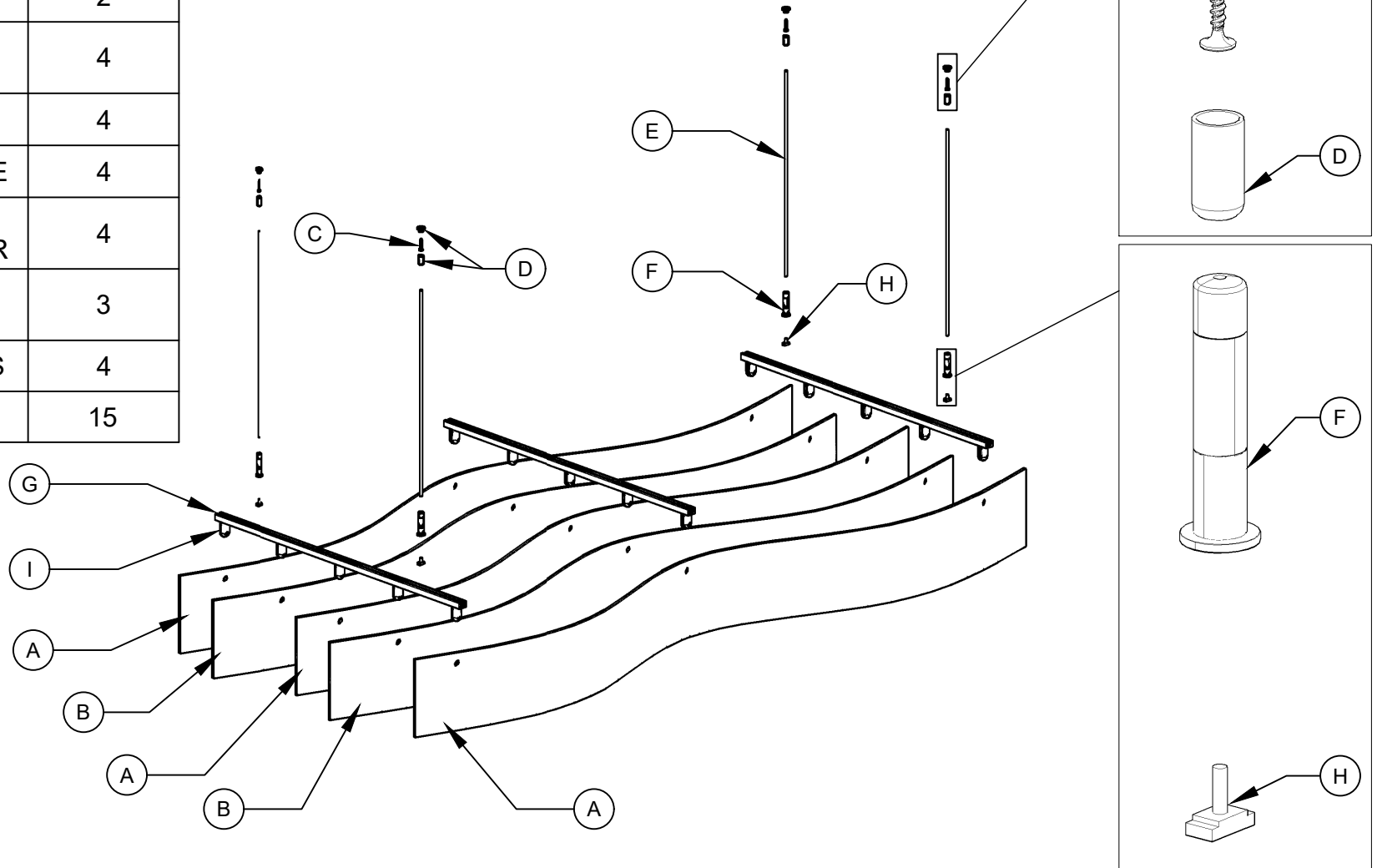
Solution  
500.07

3/3/22

Page 2 of 4

# PARTS LIST

ITEM	ITEM DESCRIPTION	QTY PER FEATURE
A	FIN A	3
B	FIN B	2
C	CABLE MOUNT SCREW	4
D	CABLE MOUNT	4
E	SWAGED CABLE	4
F	ADJUSTABLE CABLE GRIPPER	4
G	MOUNTING CHANNEL	3
H	CHANNEL NUTS	4
I	GRIPPER	15



Lumicor.

## FIN CEILING FEATURE

500.07 | Swell Right | Component Detail

These drawings have not been reviewed and approved by the architect and cannot ever be used for construction purposes. These drawings are for the exclusive use of Lumicor. Any use of these drawings by others will be at their own risk and lumicor will not be responsible for issues that may arise from their use.

© Lumicor 2022— All Rights Reserved. For more information, visit [www.lumicor.com](http://www.lumicor.com) or call 1.888.LUMICOR (888.586.4267)

Solution  
500.07

3/3/22

Page 3 of 4

## **INSTALLATION INSTRUCTIONS**

1. MARK MOUNTING POINTS ON CEILING PER STANDARD 26.50" X 79.00" FOUR CORNER RECTANGLE LAYOUT.
2. LOCATE CABLE MOUNT (D), UNSCREW TOP PORTION FROM BOTTOM. INSERT CABLE MOUNT SCREW (C) THROUGH TOP HALF OF CABLE MOUNT (D) AND DRIVE CABLE MOUNT SCREW (WITH CABLE ATTACHED) INTO MARKED MOUNTING POINT ON CEILING. REPEAT WITH EACH CABLE MOUNT (D) AT ALL MOUNTING POINTS.
3. INSERT SWAGED CABLE (E) INTO BOTTOM HALF OF CABLE MOUNT (D) MAKING SURE THAT IT HAS BEEN SECURELY CAPTURED. SCREW BOTTOM PORTION OF CABLE MOUNT (D), WITH CABLE ATTACHED, INTO TOP PORTION OF CABLE MOUNT (D). REPEAT AT ALL MOUNTING POINTS. CABLES WILL HANG FROM CEILING.
4. ASSEMBLY WILL BE BUILT UPSIDE-DOWN. LAY THE MOUNTING CHANNELS (G) ON THE FLOOR APPROXIMATELY 39.50" APART, WITH GRIPPERS (I) POINTING TOWARD CEILING. (NOTE: THERE ARE NO CHANNEL NUTS OR CABLES FOR THE MIDDLE MOUNTING CHANNEL [G] ) BACK OUT SET SCREWS ON ALL GRIPPERS (I) TO OPEN SLOTS, PREPARING THEM TO ACCEPT FINS.
5. (NOTE: TO ENSURE FINS STAY PROTECTED THROUGH INSTALLATION, IT IS RECOMMENDED THAT FINS ARE INSTALLED WITH PROTECTIVE SLEEVE REMAINING IN PLACE UNTIL ALL JOBSITE ACTIVITY HAS BEEN COMPLETED.) MAKE SURE ALL FINS ARE FACING THE SAME WAY BY NOTING WHICH SIDE HAS COLORED FILM. IDENTIFY ALL "A" AND "B" FINS BEFORE THEY ARE INSTALLED. ON AN "A" FIN, CAREFULLY CUT AWAY A SMALL NOTCH OF PROTECTIVE SLEEVE FROM AREA AROUND EACH FIN HOLE. PLACE FIN INTO FIRST ROW OF OPEN GRIPPER SLOTS ON MOUNTING CHANNELS (G), POSITION FIN HOLES INSIDE OF GRIPPERS. SLOWLY TIGHTEN EACH GRIPPER SCREW, MAKING SURE THE SCREW PASSES THROUGH THE HOLE SECURELY. REPEAT WITH ALL FINS, ALTERNATING THE "A" AND "B" FINS.
6. LIFT AND FLIP ENTIRE ASSEMBLY, PLACING ON FLOOR OR TABLE, RESTING ON LOWER EDGE OF FINS.
7. INSERT 2 CHANNEL NUTS (H) IN EACH OUTSIDE MOUNTING CHANNEL (G) APPROXIMATELY 6.75" FROM ENDS.
8. ON EACH CHANNEL NUT (H), SCREW ON ADJUSTABLE CABLE GRIPPER (F). CABLE GRIPPERS (F) SHOULD SIT 6.75" FROM ENDS
9. SLIGHTLY UNSCREW CABLE ENTRANCE CAP ON ADJUSTABLE CABLE GRIPPER (F). LIFT ASSEMBLY. FEED END OF CORRESPONDING SWAGED CABLE (E) THROUGH ADJUSTABLE CABLE GRIPPER (F) UNTIL DESIRED CABLE LENGTH IS REACHED. TIGHTEN ADJUSTABLE CABLE GRIPPER CAP (F). REPEAT FOR REMAINING CABLES. TO READJUST CABLE LENGTHS, LOOSEN ADJUSTABLE CABLE GRIPPER CAP (F), READJUST CABLE LENGTH, AND RE-TIGHTEN CAP.
10. WHEN ASSEMBLY IS HANGING CORRECTLY, CUT OFF ANY EXCESS SWAGED CABLE (E) COMING OUT OF THE ADJUSTABLE CABLE GRIPPERS (F). WHEN CUTTING THE SWAGED CABLE, IT IS RECOMMENDED THAT A WIRE CUTTER RATED FOR  $\frac{3}{64}$ "- $\frac{1}{8}$ " BRAIDED WIRE IS USED.

### **CLEANING AND CARE**

FOLLOWING THE REMOVAL OF THE PROTECTIVE SLEEVES, IT IS RECOMMENDED THAT FINS ARE GIVEN A GENTLE CLEANING.

FOR FURTHER INFORMATION, REFER TO OUR FULL CARE & HANDLING INSTRUCTIONS: [lumicor.com/carehandling](http://lumicor.com/carehandling)



Lumicor.

## **FIN CEILING FEATURE**

500.07 | Swell Right | Installation Instructions

These drawings have not been reviewed and approved by the architect and cannot ever be used for construction purposes. These drawings are for the exclusive use of Lumicor. Any use of these drawings by others will be at their own risk and lumicor will not be responsible for issues that may arise from their use.

© Lumicor 2022 — All Rights Reserved. For more information, visit [www.lumicor.com](http://www.lumicor.com) or call 1.888.LUMICOR (888.586.4267)

Solution  
500.07

3/3/22

Page 4 of 4